



double DB 102

Modern and ergonomic

A modern and dynamic swivel chair which distinguishes itself not only by its attractive appearance, but also by its refined ergonomics.

The chair has adjustable lumbar support, which is essential for the spine, and several advanced swivel mechanisms to choose from. Double can be equipped with armrests adjustable in all directions and an ergonomic headrest upholstered in leather or high-quality fabric. The backrest is made of airy mesh, which guarantees thermal comfort. The comfort of sitting is enhanced by the contoured seat, the depth of which can be adjusted.

This office armchair is an excellent choice for office workers and people working from home, especially designers and programmers.

DB 102 / Technical data

● Standard ○ Option

Mechanism

	CODE	
Synchro and self-weighting—the spring force automatically adapts to the weight of the sitting person, range of adjustable recline angle(backrest:20°,seat:5°)	B	●
Synchro and self-weighting—the spring force automatically adapts to the weight of the sitting person, range of adjustable recline angle(backrest:20°,seat:5°), with an adjustable seat depth (range: 58mm)	B+X	○
Fast-synchro with backrest fixed in 4 positions (range of recline angle: backrest: 20°, seat: 8°)	FS	○
Fast-synchro with backrest fixed in 4 positions (range of recline angle: backrest: 20°, seat: 8°), with seat depth adjustment (range: 58mm)	FS+X	○

Base

Black nylon 5-star base reinforced with glass fiber Ø700	18	●
Polished aluminium 5-star base (chrome effect) Ø690	22	○
Powder coated aluminium 5-star base (colors according to Bejot sampler book) Ø 690	23	○
Powder coated aluminium 5-star base (colors according to Bejot sampler book) Ø 700 SB	33	○
Powder coated black aluminium 5-star base Ø 700 SBF Flexi (enabling 3D movement)	35	○

The backrest

Black mash CLASSIC (66% poliester, 34% poliamid)	M08	●
Light grey mesh CLASSIC (66% poliester, 34% poliamid)	M09	○

DB 102 / Technical data

Armrests

Without arms		●
Armrests adjustable up and down (range: 80 mm) with a soft cover plus:		
· const. nylon black/thermo polyurethane armpad (TPU) fully recycling	P48B	○
· const. polished aluminium (chrome effect)/thermo polyurethane armpad (TPU) fully recycling	P48C	○
· const. nylon black/ polyurethane armpad PU with front-back regulation, width adjustment (3D)	P3DB	○
· black construction, soft polyurethane (TPC) pad, adjustable front-back (range 50 mm) and sideways (range +/- 30°), additional armrests width adjustment (range 38mm)	P60B	○

Additional adjustment

Height adjustment of the lumbar support (range 50 mm)	●
Adjustable lumbar support depth (range: 15 mm)	BLS

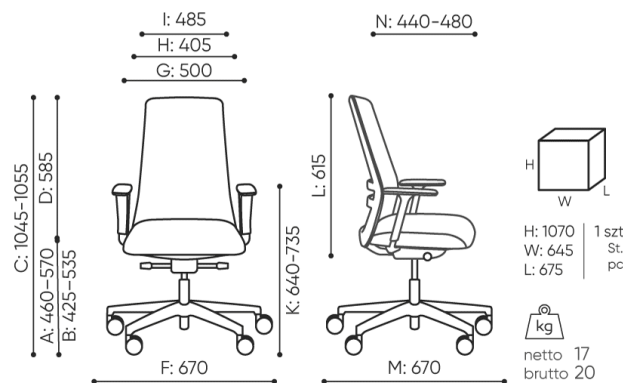
Castors

Hard castors for soft floors Ø 65 with auto-brake	DEMA ●
Soft castors for hard floors Ø 65 with auto-brake	DEMAD ○

DB 102 / Dimensions

Dimensions are approximate and may vary depending on the selected product configuration. The requirements of the standard are always met.

seat height: overall dimensions	A
seat height: measured according to the norm PN EN 1335 - 1	B
chair height adjustment	C
backrest height adjustment	D
headrest height adjustment	E
dimensional width chair / ø base	F
seat width	G
backrest width	H
width between armrests	I
armrest height adjustment	K
backrest length	L
dimensional chair depth	M
seat depth adjustment / seat length	N



DB 102



double DB 103

Modern and ergonomic

A modern and dynamic swivel chair which distinguishes itself not only by its attractive appearance, but also by its refined ergonomics.

The chair has adjustable lumbar support, which is essential for the spine, and several advanced swivel mechanisms to choose from. Double can be equipped with armrests adjustable in all directions and an ergonomic headrest upholstered in leather or high-quality fabric. The backrest is made of airy mesh, which guarantees thermal comfort. The comfort of sitting is enhanced by the contoured seat, the depth of which can be adjusted.

This office armchair is an excellent choice for office workers and people working from home, especially designers and programmers.

DB 103 / Technical data

● Standard

○ Option

Mechanism

CODE

Synchro and self-weighting—the spring force automatically adapts to the weight of the sitting person, range of adjustable recline angle(backrest:20°,seat:5°)	B	●
Synchro and self-weighting—the spring force automatically adapts to the weight of the sitting person, range of adjustable recline angle(backrest:20°,seat:5°), with an adjustable seat depth (range: 58mm)	B+X	○
Fast-synchro with backrest fixed in 4 positions (range of recline angle: backrest: 20°, seat: 8°)	FS	○
Fast-synchro with backrest fixed in 4 positions (range of recline angle: backrest: 20°, seat: 8°), with seat depth adjustment (range: 58mm)	FS+X	○

Base

Black nylon 5-star base reinforced with glass fiber Ø700	18	●
Polished aluminium 5-star base (chrome effect) Ø690	22	○
Powder coated aluminium 5-star base (colors according to Bejot sampler book) Ø 690	23	○
Powder coated aluminium 5-star base (colors according to Bejot sampler book) Ø 700 SB	33	○
Powder coated black aluminium 5-star base Ø 700 SBF Flexi (enabling 3D movement)	35	○

The backrest

Black mash CLASSIC (66% poliester, 34% poliamid)	M08	●
Light grey mesh CLASSIC (66% poliester, 34% poliamid)	M09	○

DB 103 / Technical data

Armrests

Without arms		●
Armrests adjustable up and down (range: 80 mm) with a soft cover plus:		
· const. nylon black/thermo polyurethane armpad (TPU) fully recycling	P48B	○
· const. polished aluminium (chrome effect)/thermo polyurethane armpad (TPU) fully recycling	P48C	○
· const. nylon black/armpad PU adjustment width. (range 30 mm) and front-back (range 50 mm)	P52B	○
· black construction, soft polyurethane (TPC) pad, adjustable front-back (range 50 mm) and sideways (range +/- 30°), additional armrests width adjustment (range 38mm)	P60B	○

Additional adjustment

Height adjustment of the lumbar support (range 50 mm)	<input checked="" type="checkbox"/>
Adjustable lumbar support depth (range: 15 mm)	BLS

Castors

Hard castors for soft floors Ø 65 with auto-brake	DEMA <input checked="" type="checkbox"/>
Soft castors for hard floors Ø 65 with auto-brake	DEMAD <input type="checkbox"/>

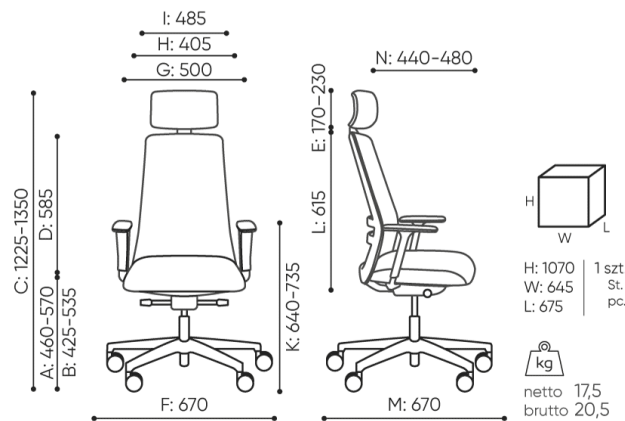
Headrest

Adjustable up and down (range: 65 mm) and at an angle (42° recline angle)/upholstered with black leather	<input checked="" type="checkbox"/>
Adjustable up and down (range: 65 mm) and at an angle (42° recline angle)/upholstered with fabric (except for NICE)	<input type="checkbox"/>

DB 103 / Dimensions

Dimensions are approximate and may vary depending on the selected product configuration. The requirements of the standard are always met.

- seat height: overall dimensions A
- seat height: measured according to the norm PN EN 1335 - 1 B
- chair height adjustment C
- backrest height adjustment D
- headrest height adjustment E
- dimensional width chair / ø base F
- seat width G
- backrest width H
- width between armrests I
- armrest height adjustment K
- backrest length L
- dimensional chair depth M
- seat depth adjustment / seat length N



DB 103