



eleven EL 103 black

Eleven functions in one

The Eleven is eleven functions, tailored to the individual needs of each user. A not complicated handling of the mechanisms makes the Eleven an easy-to-use armchair. Let the Eleven adjust to you.

Breathable membrane

The ergonomic shapes of the Eleven armchair and a backrest made of a breathable membrane are a guarantee of comfortable sitting for many hours and will enable you to rely on our experience.

EL 103 black / Technical data

● Standard

○ Option

Mechanism

Synchro and self-weighting—the spring force automatically adapts to the weight of the sitting person, range of adjustable recline angle(backrest:20°,seat:5°)	B	●
Synchro and self-weighting—the spring force automatically adapts to the weight of the sitting person, range of adjustable recline angle(backrest:20°,seat:5°), with an adjustable seat depth (range: 58mm)	B+X	○
Synchro mechanism with the backrest fixed in 4 positions (range of the adjustable recline angle: backseat: 22°, seat: 13°)	M	○
Synchro mechanism with the backrest fixed in 4 positions (range of the adjustable recline angle: backseat: 22°, seat: 13°), with an adjustable seat depth	M+X	○
Fast-synchro with backrest fixed in 4 positions (range of recline angle: backrest: 20°, seat: 8°) ¹	FS	○
Fast-synchro with backrest fixed in 4 positions (range of recline angle: backrest: 20°, seat: 8°), with seat depth adjustment (range: 58mm)	FS+X	○

Additional adjustment

Adjustable backrest height (range: 60 mm)		●
Adjustable lumbar support height (range: 100 mm)		●

Backrest

Mesh Serge Ferrari (polyester composite / PVC) BLACK	M5005	●
Mesh Serge Ferrari (polyester composite / PVC) LIGHT GREY	M5003	○
Mesh Serge Ferrari (polyester composite / PVC) DARK GREY	M5004	○
Mesh Serge Ferrari (polyester composite / PVC) WHITE	M5001	○

EL 103 black / Technical data

Base

Plastic 5-star base (nylon) Ø700 + standard black ring (RB)	17	●
Polished aluminium 5-star base (chrome effect) Ø690	22	○
Powder coated aluminium 5-star base (colors according to Bejot sampler book) Ø 690	23	○
Powder coated aluminium 5-star base (colors according to Bejot sampler book) Ø 700 SB	33	○
Powder coated black aluminum 5-star base Ø 700 SBF Flexi (enabling 3D movement)	35	○

Armrests

Without arms

Armrests adjustable up and down (range: 80 mm) with a soft cover plus:

- const. nylon black/thermo polyurethane armpad (TPU) fully recycling **P48B**
- const. polished aluminium (chrome effect)/thermo polyurethane armpad (TPU) fully recycling **P48C**
- const. nylon black/armpad PU adjustment width. (range 30 mm) and front-back (range 50 mm) **P52B**

Castors/ rack

Hard castors for soft floors Ø 65 with auto-brake **DEMA**

Soft castors for hard floors Ø 65 with auto-brake **DEMAD**

rack for model EL 102/103 **WI**

Headrest for EL 103

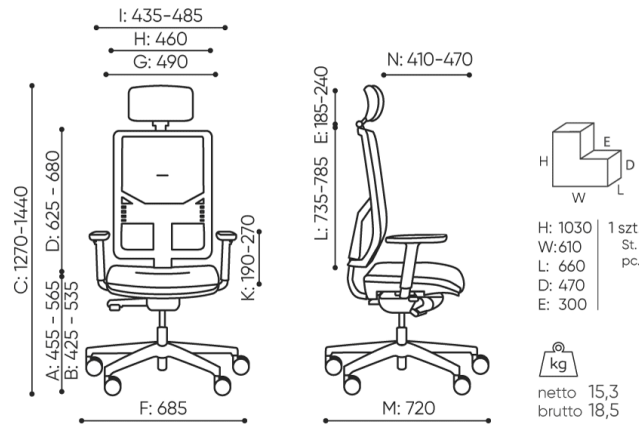
Adjustable up and down (range: 65 mm) and at an angle / upholstered with black leather

Adjustable up and down (range: 65 mm) and at an angle / upholstered with fabric (except for NICE)

EL 103 black / Dimensions

Dimensions are approximate and may vary depending on the selected product configuration. The requirements of the standard are always met.

seat height: overall dimensions	A
seat height: measured according to the norm PN EN 1335 - 1	B
chair height adjustment	C
backrest height adjustment	D
headrest height adjustment	E
dimensional width chair / ø base	F
seat width	G
backrest width	H
width between armrests	I
armrest height adjustment	K
backrest length	L
dimensional chair depth	M
seat depth adjustment / seat length	N



EL 103 (FS+X, 22, P52B)



eleven EL 102 black

Eleven functions in one

The Eleven is eleven functions, tailored to the individual needs of each user. A not complicated handling of the mechanisms makes the Eleven an easy-to-use armchair. Let the Eleven adjust to you.

Breathable membrane

The ergonomic shapes of the Eleven armchair and a backrest made of a breathable membrane are a guarantee of comfortable sitting for many hours and will enable you to rely on our experience.

EL 102 black / Technical data

● Standard

○ Option

Mechanism

Synchro and self-weighting—the spring force automatically adapts to the weight of the sitting person, range of adjustable recline angle(backrest:20°,seat:5°)	B	●
Synchro and self-weighting—the spring force automatically adapts to the weight of the sitting person, range of adjustable recline angle(backrest:20°,seat:5°), with an adjustable seat depth (range: 58mm)	B+X	○
Synchro mechanism with the backrest fixed in 4 positions (range of the adjustable recline angle: backseat: 22°, seat: 13°)	M	○
Synchro mechanism with the backrest fixed in 4 positions (range of the adjustable recline angle: backseat: 22°, seat: 13°), with an adjustable seat depth	M+X	○
Fast-synchro with backrest fixed in 4 positions (range of recline angle: backrest: 20°, seat: 8°) ¹	FS	○
Fast-synchro with backrest fixed in 4 positions (range of recline angle: backrest: 20°, seat: 8°), with seat depth adjustment (range: 58mm)	FS+X	○

Additional adjustment

Adjustable backrest height (range: 60 mm)	●
Adjustable lumbar support height (range: 100 mm)	●

Backrest

Mesh Serge Ferrari (polyester composite / PVC) BLACK	M5005	●
--	--------------	---

Mesh Serge Ferrari (polyester composite / PVC) LIGHT GREY	M5003	<input type="radio"/>
Mesh Serge Ferrari (polyester composite / PVC) DARK GREY	M5004	<input type="radio"/>
Mesh Serge Ferrari (polyester composite / PVC) WHITE	M5001	<input type="radio"/>

EL 102 black / Technical data

Base

Plastic 5-star base (nylon) Ø700 + standard black ring (RB)	17	<input checked="" type="radio"/>
Polished aluminium 5-star base (chrome effect) Ø690	22	<input type="radio"/>
Powder coated aluminium 5-star base (colors according to Bejot sampler book) Ø 690	23	<input type="radio"/>
Powder coated aluminium 5-star base (colors according to Bejot sampler book) Ø 700 SB	33	<input type="radio"/>
Powder coated black aluminum 5-star base Ø 700 SBF Flexi (enabling 3D movement)	35	<input type="radio"/>

Armrests

Without arms		<input checked="" type="radio"/>
Armrests adjustable up and down (range: 80 mm) with a soft cover plus:		
- const. nylon black/thermo polyurethane armpad (TPU) fully recycling	P48B	<input type="radio"/>
- const. polished aluminium (chrome effect)/thermo polyurethane armpad (TPU) fully recycling	P48C	<input type="radio"/>
- const. nylon black/armpad PU adjustment width. (range 30 mm) and front-back (range 50 mm)	P52B	<input type="radio"/>

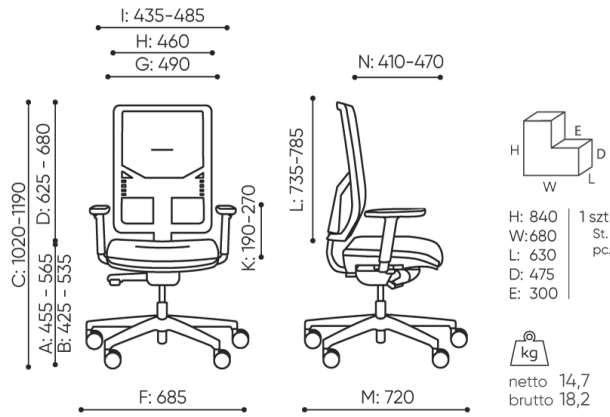
Castors/rack

Hard castors for soft floors Ø 65 with auto-brake	DEMA	<input checked="" type="radio"/>
Soft castors for hard floors Ø 65 with auto-brake	DEMAD	<input type="radio"/>
Peg for model EL 102/103	WI	<input type="radio"/>

EL 102 black / Dimensions

Dimensions are approximate and may vary depending on the selected product configuration. The requirements of the standard are always met.

seat height: overall dimensions	A
seat height: measured according to the norm PN EN 1335 - 1	B
chair height adjustment	C
backrest height adjustment	D
headrest height adjustment	E
dimensional width chair / ø base	F
seat width	G
backrest width	H
width between armrests	I
armrest height adjustment	K
backrest length	L
dimensional chair depth	M
seat depth adjustment / seat length	N



EL 102 (FS+X, 22, P52B)