

eleven

EL 102 black

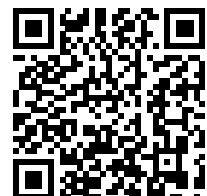
: product card



The Epocc chairs prove that design, like history, likes to come full circle. The minimalist design and the possibility of upholstering one chair in two different colours make it possible to create a modern piece of furniture with soul.

design:
S.I. Design

Product website
[website link](#)



bejot:

collection advantages

eleven functions in one

Eleven practical functions include: seat height and depth adjustment, backrest locking in four positions, backrest and armrest tilt adjustment, backrest height adjustment and lumbar support adjustment. Each of these allows the chair to be tailored to the individual needs of each user.

airy membrane

The high-quality membrane on the backrest of the chair guarantees comfort for many hours of use. It ensures optimum air circulation and has a high resistance to distortion and abrasion.

handy hanger

A hanger can be fitted as an option.

technical data

EL 102 black

Standard ●
Option ○

Mechanism

Self-weighting synchro - spring force automatically adjusts to the weight of the sitter (tilt adjustment range: back 20°, seat 5°) and seat depth adjustment (range 58mm)	B+X	●
Fast-synchro with backrest locking in 4 positions (tilt adjustment range: backrest 20°, seat 8°)	FS	○
Fast-synchro with backrest locking in 4 positions (tilt adjustment range: backrest 20°, seat 8°), with seat depth adjustment (range 58mm)	FS+X	○
Synchro with backrest locking in 4 positions (tilt adjustment range: back 22°, seat 13°), with seat depth adjustment	M+X	○

Additional adjustments

Backrest height adjustment (range 60 mm)		●
Lumbar support height adjustment (range 100 mm)		●

Backrest

Serge Ferrari mesh (polyester composite/PVC) color BLACK	M5005	●
Serge Ferrari mesh (polyester composite/PVC) color PALE GREY	M5003	○
Serge Ferrari mesh (polyester composite/PVC) color DARK GRAY	M5004	○
Serge Ferrari mesh (polyester composite/PVC) color WHITE	M5001	○

Base

Crossbar black nylon reinforced with glass fiber Ø700	18	●
Crossbar polished aluminum (chrome effect) Ø720	20	○
Powder-coated aluminum crossbar (colors according to Bejot pattern) Ø720	21	○
Powder-coated aluminum crossbar (colors according to Bejot pattern) Ø700 SB	33	○

Armrests

Without armrests



Armrests adjustable up and down (range 80 mm) with soft pad plus:

- black nylon construction/fully recycled thermopolyurethane (TPU) overlay

P48B



- Black nylon construction/PU cover adjustable in width (range 30 mm) and front/rear (50 mm)

P52B



Wheels/hanger

Hard casters for soft surface Ø 65

DEM



Hard castors for soft surface Ø 65 with brake

DEMA



Soft casters for hard surface Ø 65

DEMD



Soft castors for hard surface Ø 65 with brake

DEMAD



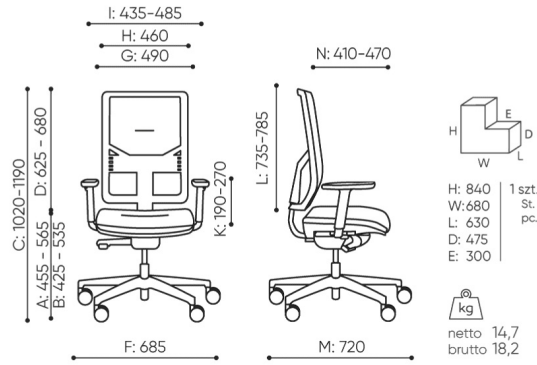
Hanger for model EL 102/103

WI



dimensions

EL 102 black



EL 102 (FS+X, 22, P52B)

- | | | |
|---|---|--|
| B seat height: measured according to the norm PN EN 1335-1 with a load of 640N | F dimensional width chair / base | K armrest height adjustment |
| C chair height adjustment | G seat width | L backrest length |
| D backrest height adjustment | H backrest width | M dimensional chair depth |
| | | N seat depth adjustment / seat length |

All dimensions are in [mm] and refer to basic version products. The indicated dimensions can change depending on the selected equipment package. Bejot reserves the right to change selected elements and this may slightly affect the product's dimensions. In case of any special requirements on dimensions of a given product, the afore-mentioned information should be acknowledged by the Producer. The specification does not constitute an offer within the meaning of the Civil Code. Dimensions and weights are approximate and may vary by 5%. The requirements of the standard are always met.

materials available for collection

1st price group	Bond, Fenno, Keimo, Lodge, Sawana
2nd price group	Alaska, Alpa, Charles, Charles - Studio Design, Cura, Era - Studio Design, Pastel, Roccia, Valencia
3rd price group	Ally, Ally-Studio Design, Alpa-Studio Design, Blazer, Cura - Studio Design, Cyber-Studio Design, Easy - Studio Design, Oceanic, Silvertex , Silvertex - Studio Design, Synergy, Synergy - Studio Design, Valencia - Studio Design
4th price group	Oceanic-Studio Design, Remix - Studio Design
5th price group	Steelcut Trio 3-Studio Design
Leather	Leather
Membrane	Mesh sampler for Eleven and Kyos
Metal	Metal - powder coated, Metal ALU/chrom

bejot:eleven

