

epocc

EP H

: product card



The Epocc chairs prove that design, like history, likes to come full circle. The minimalist design and the possibility of upholstering one chair in two different colours make it possible to create a modern piece of furniture with soul.

design:
Bejot Development Team

Product website
[website link](#)



bejot:

collection advantages

tailor to your needs

Hockers are available in two heights, allowing you to add variety to your interior design.

easy mobility

The special handle at the back of the backrest makes it easy to move the chair to any location.

technical data

EP H

Standard ●
Option ○

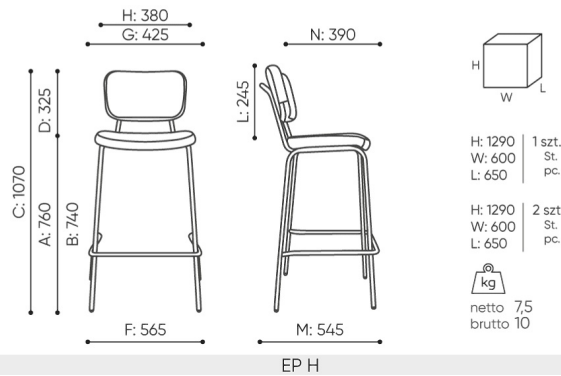
| Design | CODE |
|--|-------------|
| Powder-coated (colors according to Bejot template) | ● |

| Feet | CODE |
|---|-------------|
| Feet for ceramic, concrete floors and carpets | TK ● |
| Felt feet for wooden floors and panels | TF ○ |

EP H - dedicated to tables with a height of 1100 mm
Stackable by 3 pieces.

dimensions

EP H



- | | | |
|--|---|---|
| B seat height: measured according to the norm PN EN 1335-1 with a load of 640N | F dimensional width chair / base | K height from the floor to the armrest |
| C chair height adjustment | G seat width | L backrest length |
| D backrest height adjustment | H backrest width | M dimensional chair depth |
| | | N seat depth adjustment / seat length |

All dimensions are in [mm] and refer to basic version products. The indicated dimensions can change depending on the selected equipment package. Bejot reserves the right to change selected elements and this may slightly affect the product's dimensions. In case of any special requirements on dimensions of a given product, the afore-mentioned information should be acknowledged by the Producer. The specification does not constitute an offer within the meaning of the Civil Code. Dimensions and weights are approximate and may vary by 5%. The requirements of the standard are always met.

materials available for collection

| | |
|-----------------|---|
| 1st price group | Bond, Fenno, Keimo, Lodge, Sawana |
| 2nd price group | Alaska, Alpa, Charles, Charles - Studio Design, Cura, Era - Studio Design, Pastel, Roccia |
| 3rd price group | Ally, Ally-Studio Design, Alpa-Studio Design, Blazer, Cura - Studio Design, Cyber-Studio Design, Easy - Studio Design, Oceanic, Silvertex , Silvertex - Studio Design, Synergy, Synergy - Studio Design |
| 4th price group | Oceanic-Studio Design, Remix - Studio Design |
| 5th price group | Steelcut Trio 3-Studio Design |
| Leather | Leather |
| Metal | Metal - powder coated |

bejot:epocc

