

fendo

FD 270 N

: product card



Fendo collection is light and modern in its form, with precise finishing and a wide selection of models and colors. It is perfect for office and public spaces, such as conference rooms, waiting rooms and cafeterias.

design:
Scagnellato & Ferrarese

Product website
[website link](#)



bejot:

collection advantages

Ascetic line

The Fendo is a wide range of the models and colours, light and modern form as well as precision workmanship. The ascetic, prominent straight line of the bucket fits perfectly with the modern office space.

Stacking has never been so easy

Stacking the chairs has never been so easy, and thanks to its construction the Fendo allows for stacking on a truck even up to 30 pieces. This will enable you to simply store and dispose the chairs whenever you need them.

technical data

FD 270 N

Standard ●
Option ○

Base	CODE
Chromed (only chairs, an option not available to a trolley FD TR)	●
Powder painted (colors according to Bejot pattern book)	○

Armrests	CODE
Plastic armrests - seat / backrest color	●

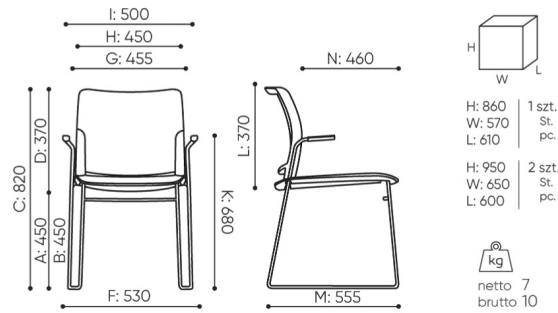
Slides	CODE
Glides for ceramic floors, concrete, carpets	●

Additional equipment	CODE
Chair connector in rows allowing the numbering of rows	LN ○

Code names marks	CODE
Whole plastic	1N
Seat: upholstered / backrest: plastic	2N
Upholstered seat and backrest	4N
Upholstered seat / backrest black frame + mesh	2M

dimensions

FD 270 N



FD 270 1N

- | | | |
|--|---|---|
| B seat height: measured according to the norm
PN EN 1335-1 with a load of 640N | F dimensional width chair / base | K height from the floor to the armrest |
| C chair height adjustment | G seat width | L backrest length |
| D backrest height adjustment | H backrest width | M dimensional chair depth |
| | | N seat depth adjustment / seat length |

All dimensions are in [mm] and refer to basic version products. The indicated dimensions can change depending on the selected equipment package. Bejot reserves the right to change selected elements and this may slightly affect the product's dimensions. In case of any special requirements on dimensions of a given product, the afore-mentioned information should be acknowledged by the Producer. The specification does not constitute an offer within the meaning of the Civil Code. Dimensions and weights are approximate and may vary by 5%. The requirements of the standard are always met.

materials available for collection

1st price group	Bond, Fenno, Keimo, Lodge, Sawana
2nd price group	Alaska, Alpa, Charles, Charles - Studio Design, Cura, Pastel, Roccia, Valencia
3rd price group	Ally, Ally-Studio Design, Alpa-Studio Design, Blazer, Cura - Studio Design, Cyber-Studio Design, Easy - Studio Design, Oceanic, Silvertex , Silvertex - Studio Design, Synergy, Synergy - Studio Design, Valencia - Studio Design
4th price group	Oceanic-Studio Design, Remix - Studio Design
5th price group	Steelcut Trio 3-Studio Design
Leather	Leather
Membrane	Membrane Kyos, Momo, Milla
Plastic	Plastik Fendo 2M, Plastic Fendo
Metal	Metal - powder coated

bejot:fendo

