

# haali

HL HP

: product card



## Haali – made for meetings!

A collection of chairs and acoustic walls designed for modern, dynamic offices. It is ideal wherever silence and concentration are important, enabling the creation of comfortable places for work and meetings.

**design:**  
Wojciech Wolczyk

**Product website**  
[website link](#)



# bejot:

# collection advantages

## Haali ECO – 100% recycled

The taupe-colored chair shell from the Haali collection is made from recycled materials. This version was created with sustainability in mind—the seat shell is made of 50% post-industrial recycled plastic and 50% post-consumer recycled plastic. Haali ECO combines functionality with environmental responsibility, perfectly meeting the needs of modern, conscious projects.

The Haali ECO chair in taupe is made of 100% recycled material. Due to the properties of the reclaimed material, subtle variations (irregularities) in shade may appear on the surface of the chair.

## flexible and comfortable seat

The buckets of the chairs are made of plastic with added fibreglass, which makes them flexible and durable. Haali chairs come in two bucket versions: with or without armrests. There is also the option of an upholstered seat pad.

## szeroki wybór baz

Krzesło Haali występuje w siedmiu wariantach podstawy, co pozwala dopasować je do różnych przestrzeni i funkcji. Do wyboru są trzy wersje na bazie prętowej: na stopkach, na płozach lub na kółkach. Dla większej mobilności dostępne są także wersje obrotowe – na krzyżaku 4-ramiennym lub 5-ramiennym z kółkami. Uzupełnieniem oferty jest wariant na tapicerowanej podstawie, który nadaje meblowi elegancki, stacjonarny charakter.

## technical data

HL HP

Standard ●  
Option ○

### Konstrukcja

Malowana proszkowo (kolorystyka wg wzornika Bejot)

●

Chromowana

○

### Ślizgi

Ślizgi na podłogi ceramiczne, betonowe i wykładziny

●

Ślizgi filcowe na podłogi drewniane i panele

○

### Opis

KOD

Całość tworzywo sztuczne

1N

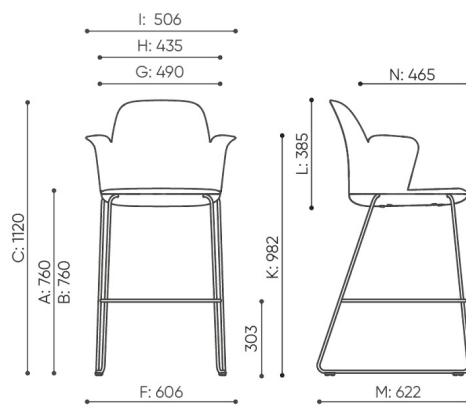
Siedzisko tapicerowane/ oparcie tworzywo sztuczne

2N

HL H/ HL H P - dedykowane do stołów o wysokości 1100 mm  
HL HN/ HL HN P - dedykowane do stołów o wysokości 900 mm

# dimensions

HL HP



HL HP 1N

**B** seat height: measured according to the norm  
PN EN 1335-1 with a load of 640N

**C** chair height adjustment

**D** backrest height adjustment

**F** dimensional width chair / base

**G** seat width

**H** backrest width

**K** height from the floor to the armrest

**L** backrest length

**M** dimensional chair depth

**N** seat depth adjustment / seat length

All dimensions are in [mm] and refer to basic version products. The indicated dimensions can change depending on the selected equipment package. Bejot reserves the right to change selected elements and this may slightly affect the product's dimensions. In case of any special requirements on dimensions of a given product, the afore-mentioned information should be acknowledged by the Producer. The specification does not constitute an offer within the meaning of the Civil Code. Dimensions and weights are approximate and may vary by 5%. The requirements of the standard are always met.

## materials available for collection

Plastic

Plastik Haali

Metal

Metal - powder coated



bejot:haali

