

# haali

HL 240

: product card



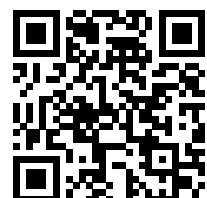
## Haali – made for meetings!

A collection of chairs and acoustic walls designed for modern, dynamic offices. It is ideal wherever silence and concentration are important, enabling the creation of comfortable places for work and meetings.

**design:**

**Wojciech Wolczyk**

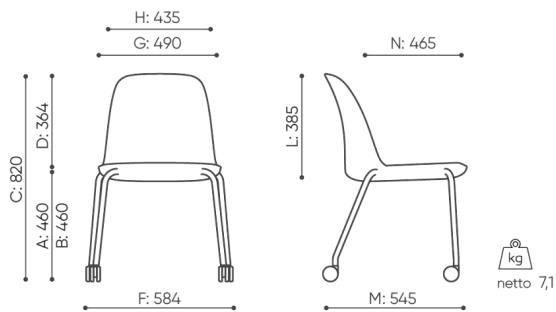
**Product website**  
[website link](#)



# bejot:

# dimensions

HL 240



HL 240 1N

- |   |   |   |
|---|---|---|
| <b>B</b> seat height: measured according to the norm PN EN 1335-1 with a load of 640N | <b>F</b> dimensional width chair / base | <b>K</b> height from the floor to the armrest |
| <b>C</b> chair height adjustment  | <b>G</b> seat width                     | <b>L</b> backrest length                      |
| <b>D</b> backrest height adjustment   | <b>H</b> backrest width                 | <b>M</b> dimensional chair depth              |
|   |   | <b>N</b> seat depth adjustment / seat length  |

All dimensions are in [mm] and refer to basic version products. The indicated dimensions can change depending on the selected equipment package. Bejot reserves the right to change selected elements and this may slightly affect the product's dimensions. In case of any special requirements on dimensions of a given product, the afore-mentioned information should be acknowledged by the Producer. The specification does not constitute an offer within the meaning of the Civil Code. Dimensions and weights are approximate and may vary by 5%. The requirements of the standard are always met.

# materials available for collection

1st price group	Bond, Fenno, Keimo, Lodge, Sawana
2nd price group	Alaska, Alpa, Charles, Charles - Studio Design, Cura, Era - Studio Design, Pastel, Roccia, Valencia
3rd price group	Ally, Ally-Studio Design, Alpa-Studio Design, Blazer, Cura - Studio Design, Cyber-Studio Design, Easy - Studio Design, Oceanic, Rhythm, Silvertex , Silvertex - Studio Design, Synergy, Synergy - Studio Design, Valencia - Studio Design
4th price group	Oceanic-Studio Design, Remix - Studio Design
5th price group	Steelcut Trio 3-Studio Design
Leather	Leather
Plastic	Plastik Haali
Metal	Metal - powder coated

bejot:haali

