

haali

HL 4R P

: product card



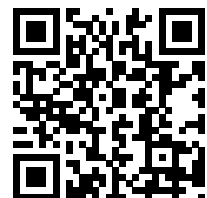
Haali – made for meetings!

A collection of chairs and acoustic walls designed for modern, dynamic offices. It is ideal wherever silence and concentration are important, enabling the creation of comfortable places for work and meetings.

design:

Wojciech Wolczyk

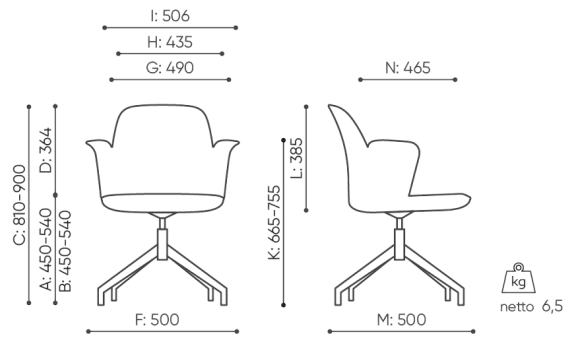
Product website
[website link](#)



bejot:

dimensions

HL 4R P



HL 4R P 1N

B seat height: measured according to the norm PN EN 1335-1 with a load of 640N

C chair height adjustment

D backrest height adjustment

F dimensional width chair / base

G seat width

H backrest width

K height from the floor to the armrest

L backrest length

M dimensional chair depth

N seat depth adjustment / seat length

All dimensions are in [mm] and refer to basic version products. The indicated dimensions can change depending on the selected equipment package. Bejot reserves the right to change selected elements and this may slightly affect the product's dimensions. In case of any special requirements on dimensions of a given product, the afore-mentioned information should be acknowledged by the Producer. The specification does not constitute an offer within the meaning of the Civil Code. Dimensions and weights are approximate and may vary by 5%. The requirements of the standard are always met.

materials available for collection

1st price group	Bond, Fenno, Keimo, Lodge, Sawana
2nd price group	Alaska, Alpa, Charles, Charles - Studio Design, Cura, Era - Studio Design, Pastel, Roccia, Valencia
3rd price group	Ally, Ally-Studio Design, Alpa-Studio Design, Blazer, Cura - Studio Design, Cyber-Studio Design, Easy - Studio Design, Oceanic, Rhythm, Silvertex , Silvertex - Studio Design, Synergy, Synergy - Studio Design, Valencia - Studio Design
4th price group	Oceanic-Studio Design, Remix - Studio Design
5th price group	Steelcut Trio 3-Studio Design
Leather	Leather
Plastic	Plastik Haali
Metal	Metal - powder coated

bejot:haali

