

haali

HL GR P

: product card



Haali – made for meetings!

A collection of chairs and acoustic walls designed for modern, dynamic offices. It is ideal wherever silence and concentration are important, enabling the creation of comfortable places for work and meetings.

design:

Wojciech Wolczyk

Product website
[website link](#)



bejot:

collection advantages

Haali ECO – 100% recycled

The taupe-colored chair shell from the Haali collection is made from recycled materials. This version was created with sustainability in mind—the seat shell is made of 50% post-industrial recycled plastic and 50% post-consumer recycled plastic. Haali ECO combines functionality with environmental responsibility, perfectly meeting the needs of modern, conscious projects.

The Haali ECO chair in taupe is made of 100% recycled material. Due to the properties of the reclaimed material, subtle variations (irregularities) in shade may appear on the surface of the chair.

flexible and comfortable seat

The buckets of the chairs are made of plastic with added fibreglass, which makes them flexible and durable. Haali chairs come in two bucket versions: with or without armrests. There is also the option of an upholstered seat pad.

wide choice of bases

The Haali chair comes in seven base variations to suit different spaces and functions. There is a choice of three versions on a bar base: on feet, on skids or on castors. For greater mobility, swivel versions are also available - on a 4-arm crossbar or 5-arm crossbar with castors. Completing the range is a variant on an upholstered base, which gives the furniture an elegant, stationary character.

technical data

HL GR P

Standard ●
Option ○

bejot:haali

Podstawa

Podstawa tapicerowana

●

Stopki

Stopki na podłogi ceramiczne, betonowe i wykładziny

●

Stopki filcowe na podłogi drewniane i panele

○

Opis

Całość tworzywo sztuczne

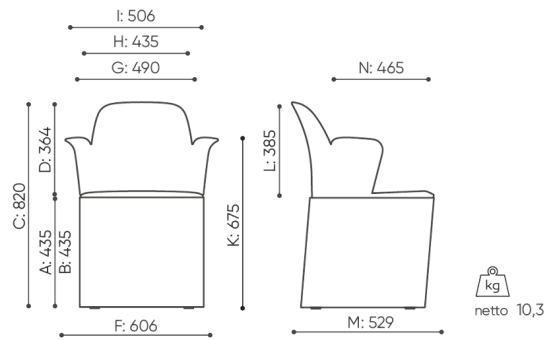
1N

Siedzisko tapicerowane/ oparcie tworzywo sztuczne

2N

dimensions

HL GR P



HL GR P 1N

- | | | |
|--|---|---|
| B seat height: measured according to the norm
PN EN 1335-1 with a load of 640N | F dimensional width chair / base | K height from the floor to the armrest |
| C chair height adjustment | G seat width | L backrest lenght |
| D backrest height adjustment | H backrest width | M dimensional chair depth |
| | | N seat depth adjustment / seat lenght |

All dimensions are in [mm] and refer to basic version products. The indicated dimensions can change depending on the selected equipment package. Bejot reserves the right to change selected elements and this may slightly affect the product's dimensions. In case of any special requirements on dimensions of a given product, the afore-mentioned information should be acknowledged by the Producer. The specification does not constitute an offer within the meaning of the Civil Code. Dimensions and weights are approximate and may vary by 5%. The requirements of the standard are always met.

materials available for collection

1st price group	Bond, Fenno, Keimo, Lodge, Sawana
2nd price group	Alaska, Alpa, Charles, Charles - Studio Design, Cura, Era - Studio Design, Pastel, Roccia, Valencia
3rd price group	Ally, Ally-Studio Design, Alpa-Studio Design, Blazer, Cura - Studio Design, Cyber-Studio Design, Easy - Studio Design, Oceanic, Rhythm, Silvertex , Silvertex - Studio Design, Synergy, Synergy - Studio Design, Valencia - Studio Design
4th price group	Oceanic-Studio Design, Remix - Studio Design
5th price group	Steelcut Trio 3-Studio Design
Leather	Leather
Plastic	Plastik Haali
Metal	Metal - powder coated

bejot:haali



