

hens

HS 215 H

: product card



The hens collection is characterised by Scandinavian design and functionality. It adheres to the principles of simplicity, usability and naturalness. The strong steel frame gives the chairs a loft character. Their raw form is balanced by the natural oak veneer and soft upholstery.

design:
Henrik Schultz

Product website
[website link](#)



bejot:

collection advantages

scandinavian design and functionality

The collection is a contemporary interpretation of the classic school chair. Designed with inspiration from Scandinavian design, it meets the objectives of simplicity, functionality and naturalness.

easy stacking

The chairs are perfectly stackable, and some models can be joined together with a dedicated rail. This makes them suitable for virtually anywhere - from offices to schools and public spaces.

practical armrests

The round cover (PUT) on the armrests is not only an aesthetic finish but also a functional solution that allows for the safe suspension of chairs on the table top. This facilitates keeping floors clean in conference rooms, canteens, and other spaces.

technical data

HS 215 H

Standard ●
Option ○

Base

Powder painted (colors according to the Bejot pattern book)	●
Chrome	○

Colours for the 1N/2N version

Natural oak veneer - clear varnish matt	ONB	●
Natural oak veneer - black matt varnish (RAL 9005M)	O9005	○
Natural oak veneer - gray matt varnish (RAL 7045M)	O7045	○
Natural oak veneer - maroon matt varnish (RAL 3005M)	O3005	○
Natural oak veneer - green matt varnish (RAL 6005M)	O6005	○
Natural oak veneer - blue matt varnish (RAL 5007M)	O5007	○

Additional equipment

Black masking panel that protects the chairs from scratches during stacking	CP	●
---	----	---

System of joining rows and rows between each other

The molding connecting 4 chairs (length 3000 mm)	LR1	○
Set: The bar combining 4 chairs (length: 3000 mm)+ 2 x row connector (length: 1000 mm)	LR4-SET	○

Feet

Feet on ceramic, concrete and carpet floors	TK	●
Felt feet on wooden floors and panels	TF	○

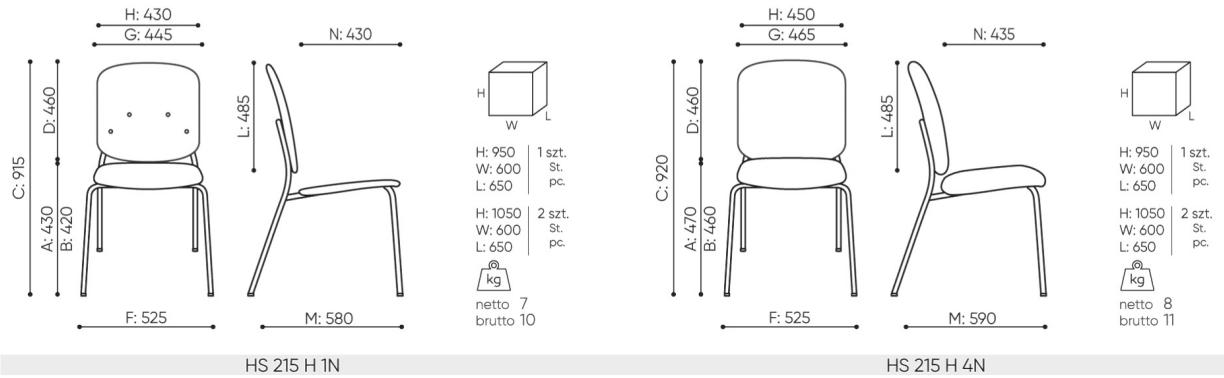
Description

Code

Seat and backrest, natural oak veneer	1N
Upholstered seat / backrest, natural oak veneer	2N
Upholstered seat and backrest	4N

dimensions

HS 215 H



- B** seat height: measured according to the norm PN EN 1335-1 with a load of 640N
- C** chair height adjustment
- D** backrest height adjustment
- F** dimensional width chair / base
- G** seat width
- H** backrest width
- K** height from the floor to the armrest
- L** backrest length
- M** dimensional chair depth
- N** seat depth adjustment / seat length

All dimensions are in [mm] and refer to basic version products. The indicated dimensions can change depending on the selected equipment package. Bejot reserves the right to change selected elements and this may slightly affect the product's dimensions. In case of any special requirements on dimensions of a given product, the afore-mentioned information should be acknowledged by the Producer. The specification does not constitute an offer within the meaning of the Civil Code. Dimensions and weights are approximate and may vary by 5%. The requirements of the standard are always met.

materials available for collection

1st price group	Bond, Fenno, Keimo, Lodge, Sawana
2nd price group	Alaska, Alpa, Charles, Charles - Studio Design, Cura, Era - Studio Design, Pastel, Roccia
3rd price group	Ally, Ally-Studio Design, Alpa-Studio Design, Blazer, Cura - Studio Design, Cyber-Studio Design, Easy - Studio Design, Oceanic, Rhythm, Silvertex , Silvertex - Studio Design, Synergy, Synergy - Studio Design
4th price group	Oceanic-Studio Design, Remix - Studio Design
5th price group	Steelcut Trio 3-Studio Design
Leather	Leather
Natural oak veneer	Natural oak veneer
Metal	Metal - powder coated

bejot:hens

