

# hens

## HS 4K1

: product card



The hens collection is characterised by Scandinavian design and functionality. It adheres to the principles of simplicity, usability and naturalness. The strong steel frame gives the chairs a loft character. Their raw form is balanced by the natural oak veneer and soft upholstery.

**design:**  
**Henrik Schultz**

**Product website**  
[website link](#)



# bejot:

# collection advantages

## scandinavian design and functionality

The collection is a contemporary interpretation of the classic school chair. Designed with inspiration from Scandinavian design, it meets the objectives of simplicity, functionality and naturalness.

## easy stacking

The chairs are perfectly stackable, and some models can be joined together with a dedicated rail. This makes them suitable for virtually anywhere - from offices to schools and public spaces.

## practical armrests

The round cover (PUT) on the armrests is not only an aesthetic finish but also a functional solution that allows for the safe suspension of chairs on the table top. This facilitates keeping floors clean in conference rooms, canteens, and other spaces.

## technical data

HS 4K1

Standard ●  
Option ○

### Mechanism

Permanent connection (without mechanism) A0 ●

### Base

Powder painted (colors according to the Bejot pattern book) ●

### Armpads

Black polyurethane - PU type tube PUT ●

Soft, black polyurethane - PU PU ○

### Castors

Hard castors for soft floors Ø 65 with auto-brake DEMA ●

Soft castors for hard floors Ø 65 with auto-brake DEMAD ○

Universal castors without brake, color white RL W4 ○

### Description

### Code

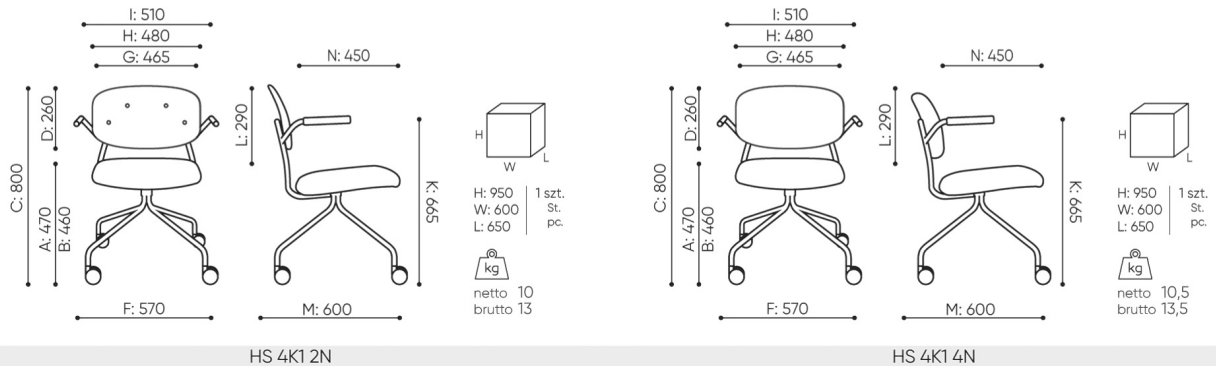
Seat and backrest, natural oak veneer 1N

Upholstered seat / backrest, natural oak veneer 2N

Upholstered seat and backrest 4N

# dimensions

## HS 4K1



- |  |   |   |
|--|---|---|
| <b>B</b> seat height: measured according to the norm<br>PN EN 1335-1 with a load of 640N | <b>F</b> dimensional width chair / base | <b>K</b> height from the floor to the armrest |
| <b>C</b> chair height adjustment   | <b>G</b> seat width                     | <b>L</b> backrest length                      |
| <b>D</b> backrest height adjustment  | <b>H</b> backrest width                 | <b>M</b> dimensional chair depth              |
|  |   | <b>N</b> seat depth adjustment / seat length  |

All dimensions are in [mm] and refer to basic version products. The indicated dimensions can change depending on the selected equipment package. Bejot reserves the right to change selected elements and this may slightly affect the product's dimensions. In case of any special requirements on dimensions of a given product, the afore-mentioned information should be acknowledged by the Producer. The specification does not constitute an offer within the meaning of the Civil Code. Dimensions and weights are approximate and may vary by 5%. The requirements of the standard are always met.

## materials available for collection

1st price group	Bond, Fenno, Keimo, Lodge, Sawana
2nd price group	Alaska, Alpa, Charles, Charles - Studio Design, Cura, Era - Studio Design, Pastel, Roccia
3rd price group	Ally, Ally-Studio Design, Alpa-Studio Design, Blazer, Cura - Studio Design, Cyber-Studio Design, Easy - Studio Design, Oceanic, Rhythm, Silvertex , Silvertex - Studio Design, Synergy, Synergy - Studio Design
4th price group	Oceanic-Studio Design, Remix - Studio Design
5th price group	Steelcut Trio 3-Studio Design
Leather	Leather
Natural oak veneer	Natural oak veneer
Metal	Metal - powder coated

bejot:hens



