

# kyos

## KY 261 M

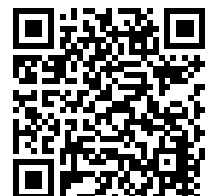
: product card



The simple and ergonomic form, emphasised by the transparent backrest, allows Kyos to harmonise perfectly with the interiors of offices, conference rooms, libraries and public spaces.

**design:**  
**Scagnellato & Ferrarese**

**Product website**  
[website link](#)



# bejot:

# collection advantages

## Simple form, great possibilities

A simple and ergonomic form and an interesting design of the openwork backrest will add lightness to any interior.

## First and foremost, functionality

A possibility of assembling a desktop, combining in rows, stacking the chairs and transporting them on a truck, are features that ensure an outstanding functionality. Thanks to this, the Kyos is perfect both in the modern conference and training rooms, and the small offices and reception desks.

## technical data

KY 261 M

Standard ●  
Option ○

bejot:kyos

Base	CODE	
Powder painted (colors according to Bejot pattern book)		●
Chromed (only chairs, an option not available to a trolley KY TR)		○

Backrest	CODE	
Black mesh CLASSIC	M08	●
Light grey mesh CLASSIC	M09	○
Mesh Serge Ferrari (polyester composite / PVC) BLACK	M5005	○
Mesh Serge Ferrari (polyester composite / PVC) LIGHT GREY	M5003	○
Mesh Serge Ferrari (polyester composite / PVC) DARK GREY	M5004	○
Mesh Serge Ferrari (polyester composite / PVC) WHITE	M5001	○

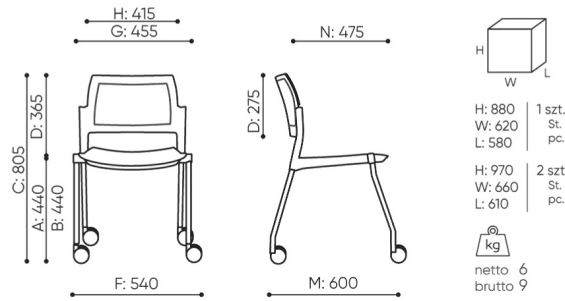
Castors	CODE	
Grey universal castors	RT 07 G	●
Black universal castors	RT 07 N	○

Description	
Whole plastic	1N
Seat: upholstered / backrest: plastic	2N
Upholstered seat and backrest	3N
Seat: plastic / backrest: black or grey base + mesh	1M
Seat: upholstered / backrest: black or grey base + mesh	2M

# dimensions

KY 261 M



KY 261 1M

- |  |   |   |
|--|---|---|
| <b>B</b> seat height: measured according to the norm<br>PN EN 1335-1 with a load of 640N | <b>F</b> dimensional width chair / base | <b>K</b> height from the floor to the armrest |
| <b>C</b> chair height adjustment   | <b>G</b> seat width                     | <b>L</b> backrest length                      |
| <b>D</b> backrest height adjustment  | <b>H</b> backrest width                 | <b>M</b> dimensional chair depth              |
|  |   | <b>N</b> seat depth adjustment / seat length  |

All dimensions are in [mm] and refer to basic version products. The indicated dimensions can change depending on the selected equipment package. Bejot reserves the right to change selected elements and this may slightly affect the product's dimensions. In case of any special requirements on dimensions of a given product, the afore-mentioned information should be acknowledged by the Producer. The specification does not constitute an offer within the meaning of the Civil Code. Dimensions and weights are approximate and may vary by 5%. The requirements of the standard are always met.

## materials available for collection

1st price group	Bond, Fenno, Keimo, Lodge, Sawana
2nd price group	Alaska, Alpa, Charles, Charles - Studio Design, Cura, Era - Studio Design, Pastel, Roccia, Valencia
3rd price group	Ally, Ally-Studio Design, Alpa-Studio Design, Blazer, Cura - Studio Design, Cyber-Studio Design, Easy - Studio Design, Oceanic, Rhythm, Silvertex , Silvertex - Studio Design, Synergy, Synergy - Studio Design, Valencia - Studio Design
4th price group	Oceanic-Studio Design, Remix - Studio Design
5th price group	Steelcut Trio 3-Studio Design
Leather	Leather
Membrane	Membrane Kyos, Momo, Milla, Mesh sampler for Eleven and Kyos
Plastic	Plastic Kyos
Metal	Metal - powder coated

bejot:kyos



