

# leaf\_pod

chat\_pod

: product card



Leaf\_pod's modularity allows you to arrange your office to suit the needs of both collaborative and individual work. It is also ideal for creating rest areas. The high acoustic parameters of the walls mean that noise penetrates less into the other zones of the office and the range at which conversations can be held is shortened. This allows you to work efficiently, stay highly concentrated and organise meetings in comfort.

**design:**  
**Dymitr Malcew**

**Product website**  
[website link](#)



# bejot:

# collection advantages

## focus zone

Open space with a private area for individual work is no longer a dream, but a reality within reach. On the one hand, a cluster of workstations facilitates communication, while on the other, it provides the opportunity to work in focus.

## collaboration zone

The key to success in business is a well-coordinated team that can work together. If you want to make progress, you need to concentrate. You can try an area separate from the rest of the office equipped with a roof, table and chairs. The Leaf\_Pod collection includes sets ideal for spaces that require constant communication and collaboration.

## technical data

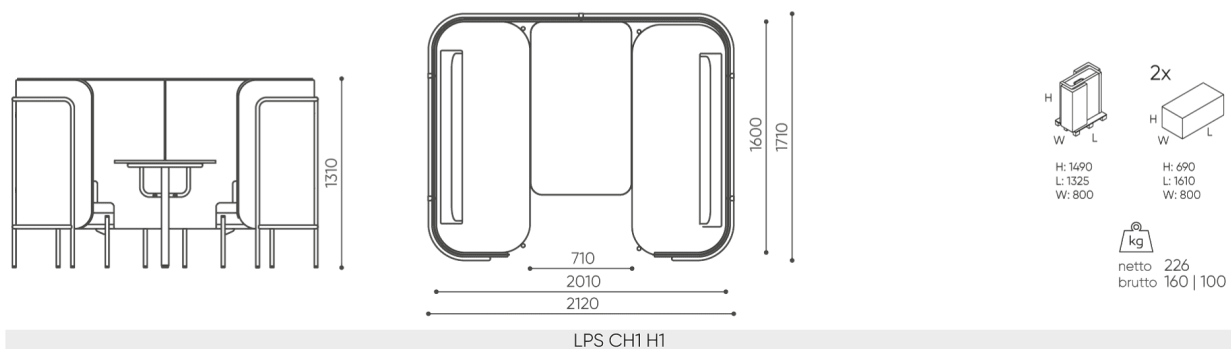
chat\_pod

Standard ●  
Option ○

Construction	CODE		
Powder coated - structural varnish (colors according to Bejot pattern book - symbol [s] next to code)		●	
A set of upholstered walls in Synergy or Blazer fabric (price group 3)		●	
2 sofas (width 1600 mm) with a backrest (in the selected price group)			
1 table with laminated board top			
Feet			
Adjustable feet for ceramic, concrete and carpet floors	LK	●	
Adjustable felt feet for wooden floors and panels	LF	○	
Mediaport			
Round PIX mediaport (black-B) - 1 voltage socket 230 V	R[type]1V	○	
Round PIX mediaport (black-B) - 2 x USB charger	RM1CC	○	
COMPONENTS OF THE SET	CODE		
Start / end walls 'E'	1x LP H1 EJ1 R		
	1x LP H1 EJ1 L		
Middle walls 'C'	2x LP H1 CI2		
	1x LP H1 CJ2 L		
	1x LP H1 CJ2 R		
Additional elements			
	Sofa	2x LP SFP 220	
	Table	1x LP TB PC2	

# dimensions

chat\_pod

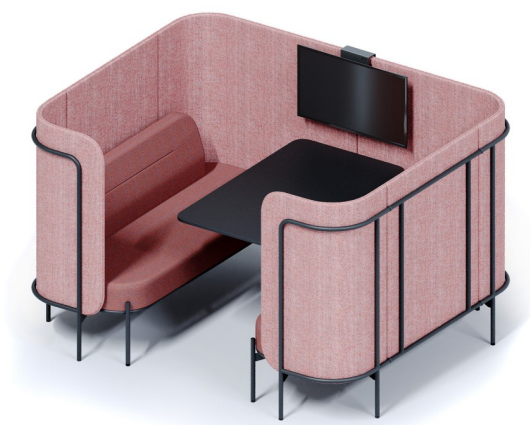


All dimensions are in [mm] and refer to basic version products. The indicated dimensions can change depending on the selected equipment package. Bejot reserves the right to change selected elements and this may slightly affect the product's dimensions. In case of any special requirements on dimensions of a given product, the afore-mentioned information should be acknowledged by the Producer. The specification does not constitute an offer within the meaning of the Civil Code. Dimensions and weights are approximate and may vary by 5%. The requirements of the standard are always met.

bejot:leaf\_pod

## materials available for collection

3rd price group	Blazer, Synergy, Synergy - Studio Design
Tabletop	Laminated tabletop
Metal	Metal - powder coated



bejot:leaf\_pod