

lumi

LM 271 P

: product card



The Lumi chair stands out with its minimalist design that perfectly fits into interior design trends. Its slim silhouette and perfectly contoured backrest ensure not only an elegant look but also high user comfort.

design:
Włodzimierz Orsztynowicz

Product website
[website link](#)



bejot:

collection advantages

style and comfort

The Lumi chairs are distinguished by their minimalist design, which fits in perfectly with the interior design trends. The slim silhouette and soft seat ensure not only an elegant appearance, but also a high level of comfort.

two backrest heights

Available in two backrest heights, the Lumi conference chairs are ideal for both meeting rooms and relaxation areas.

wide range of designs

Lumi offers a wide range of bases and up to three types of distinctive seats. Choose from classic designs on metal legs, but also swivel, castor or wooden ones.

technical data

LM 271 P

Standard ●
Option ○

Base

Powder painted rod base (colors according to the Bejot sampler book)	●
Chrome rod base	○

Armpads

CODE

Soft, black polyurethane - PU	PU	●
Wooden - varnished according to Bejot's pattern book		○

Slides

Glides for ceramic floors, concrete and carpets	PK	●
Felt glides for wooden floors and floor panels	PF	○

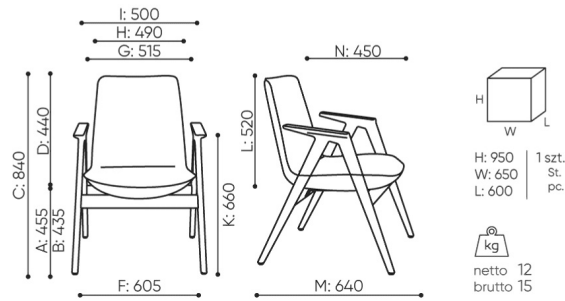
Stitches

CODE

Stitches in the colour of upholstery.		●
White, grey, orange, red, green or black stitches for leather-upholstered armchairs or for keimo, valencia, silvertex collection upholstery.		○

dimensions

LM 271 P



LM W 721 P

B seat height: measured according to the norm PN EN 1335-1 with a load of 640N

C chair height adjustment

D backrest height adjustment

F dimensional width chair / base

G seat width

H backrest width

K height from the floor to the armrest

L backrest length

M dimensional chair depth

N seat depth adjustment / seat length

All dimensions are in [mm] and refer to basic version products. The indicated dimensions can change depending on the selected equipment package. Bejot reserves the right to change selected elements and this may slightly affect the product's dimensions. In case of any special requirements on dimensions of a given product, the afore-mentioned information should be acknowledged by the Producer. The specification does not constitute an offer within the meaning of the Civil Code. Dimensions and weights are approximate and may vary by 5%. The requirements of the standard are always met.

materials available for collection

1st price group	Bond, Fenno, Keimo, Lodge, Sawana
2nd price group	Alaska, Alpa, Charles, Charles - Studio Design, Cura, Era - Studio Design, Pastel, Roccia, Valencia
3rd price group	Ally, Ally-Studio Design, Alpa-Studio Design, Blazer, Cura - Studio Design, Cyber-Studio Design, Easy - Studio Design, Oceanic, Silvertex , Silvertex - Studio Design, Synergy, Synergy - Studio Design, Valencia - Studio Design
4th price group	Oceanic-Studio Design, Remix - Studio Design
5th price group	Steelcut Trio 3-Studio Design
Leather	Leather
Wood	Solid oak wood
Metal	Metal - powder coated

bejot:lumi

