



## lumi LM 103

### Contemporary silhouette

A contemporary silhouette, a perfectly profiled shape of the backrest and craftsmanship are the undeniable advantages of the Lumi. See for yourself how the Lumi will brighten up your interior.

### Minimalist style

The Lumi is an evidence of why the minimalist style reigns in all spaces not the first day. This collection consists of the armchairs and chairs designed on the basis of a tapered bucket, in three different heights that will enable you to fit it to any task from a comfortable swivel armchair to the slick chairs in the relaxation area.

## LM 103 / Technical data

Standard  Option

### Mechanism

Rocker mechanism made of polished aluminium with a backrest lock in 4 positions (range of tilt adjustment back and seat 16°)

### CODE

**K**

### Gaslift

Black

### Base

Polished aluminium 5-star base (chrome effect) Ø690 **22**

Powder coated aluminium 5-star base (colors according to Bejot sampler book) Ø 690 **23**

Polished aluminium 5-star base (chrome effect) Ø700 SB **32**

Powder coated aluminium 5-star base (colors according to Bejot sampler book) Ø 700 SB **33**

Polished aluminum 5-star base (chrome effect) Ø 700 SBF Flexi (3D movement) **34**

## LM 103 / Technical data

### Armrests

Without armrests

Armrests made of Ø 18 pipe, powder coated without an pad **P26P**

Armrests of flat bar, powder coated + leather pad **P23P**

Armrests of flat bar, chromed + leather pad **P23C**

Aluminum polished armrests + TPU overlay **P39C**

### Castors

### CODE

Hard castors for soft floors Ø 65 with auto-brake **DEMA**

Softs castors for hard floors Ø 65 with auto-brake **DEMAD**

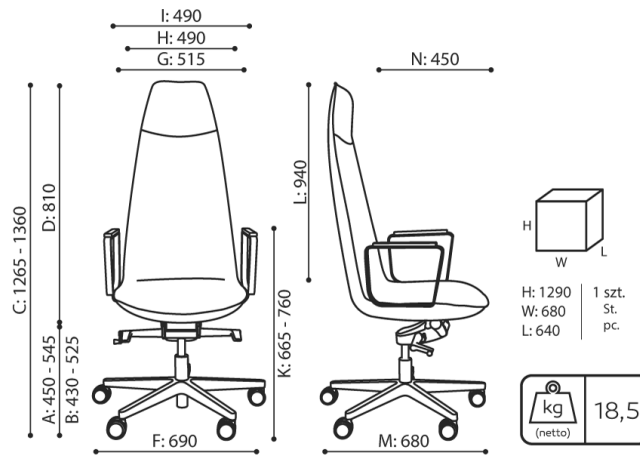
### Headrest

Headrest upholstered with leather (for products made in upholstery from price groups 1-3)

## LM 103 / Dimensions

Dimensions are approximate and may vary depending on the selected product configuration. The requirements of the standard are always met.

seat height: overall dimensions	A
seat height: measured according to the norm PN EN 1335 - 1	B
chair height adjustment	C
backrest height adjustment	D
headrest height adjustment	E
dimensional width chair / ø base	F
seat width	G
backrest width	H
width between armrests	I
armrest height adjustment	K
backrest length	L
dimensional chair depth	M
seat depth adjustment / seat length	N



LM 103



## lumi LM 102

### Contemporary silhouette

A contemporary silhouette, a perfectly profiled shape of the backrest and craftsmanship are the undeniable advantages of the Lumi. See for yourself how the Lumi will brighten up your interior.

### Minimalist style

The Lumi is an evidence of why the minimalist style reigns in all spaces not the first day. This collection consists of the armchairs and chairs designed on the basis of a tapered bucket, in three different heights that will enable you to fit it to any task from a comfortable swivel armchair to the slick chairs in the relaxation area.

## LM 102 / Technical data

Standard  Option

Mechanism	CODE	
Rocker mechanism made of polished aluminium with a backrest lock in 4 positions (range of tilt adjustment back and seat 16°)	K	<input checked="" type="radio"/>
<b>Gaslift</b>		
Black		<input checked="" type="radio"/>
<b>Base</b>		
Polished aluminium 5-star base (chrome effect) Ø690	22	<input checked="" type="radio"/>
Powder coated aluminium 5-star base (colors according to Bejot sampler book) Ø 690	23	<input type="radio"/>
Polished aluminium 5-star base (chrome effect) Ø700 SB	32	<input type="radio"/>
Powder coated aluminium 5-star base (colors according to Bejot sampler book) Ø 700 SB	33	<input type="radio"/>
Polished aluminium 5-star base (chrome effect) Ø 700 SBF Flexi (3D movement)	34	<input type="radio"/>

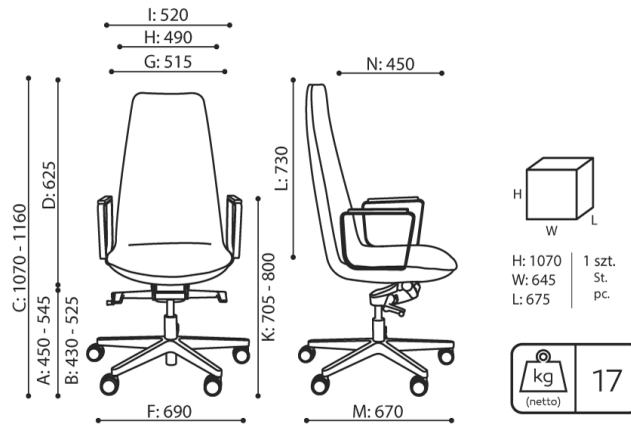
## LM 102 / Technical data

Armrests	CODE	
Without armrests		<input checked="" type="radio"/>
Armrests made of Ø 18 pipe, powder coated without an pad	P26P	<input type="radio"/>
Armrests of flat bar, powder coated + leather pad	P23P	<input type="radio"/>
Armrests of flat bar, chromed + leather pad	P23C	<input type="radio"/>
Aluminum polished armrests + TPU overlay	P39C	<input type="radio"/>
<b>Castors</b>		
Hard castors for soft floors Ø 65 with auto-brake	DEMA	<input checked="" type="radio"/>
Softs castors for hard floors Ø 65 with auto-brake	DEMAD	<input type="radio"/>

## LM 102 / Dimensions

Dimensions are approximate and may vary depending on the selected product configuration. The requirements of the standard are always met.

seat height: overall dimensions	A
seat height: measured according to the norm PN EN 1335 - 1	B
chair height adjustment	C
backrest height adjustment	D
headrest height adjustment	E
dimensional width chair / ø base	F
seat width	G
backrest width	H
width between armrests	I
armrest height adjustment	K
backrest lenght	L
dimensional chair depth	M
seat depth adjustment / seat lenght	N



LM 102



## lumi LM 5R2

### Contemporary silhouette

A contemporary silhouette, a perfectly profiled shape of the backrest and craftsmanship are the undeniable advantages of the Lumi. See for yourself how the Lumi will brighten up your interior.

### Minimalist style

The Lumi is an evidence of why the minimalist style reigns in all spaces not the first day. This collection consists of the armchairs and chairs designed on the basis of a tapered bucket, in three different heights that will enable you to fit it to any task from a comfortable swivel armchair to the slick chairs in the relaxation area.

## LM 5R2 / Technical data

● Standard    ○ Option

### Mechanism

	CODE	
Rotatable, with height adjustment	A	●
Rotable mechanism with 3d motion function (forward, backward and sideways) and height adjustment	O5	○
Rotatable, comfortable rocker mechanism with rubber joint and a lock in 1 position (rear tilt: 7°; front tilt: -4°) with height adjustment	AR5	○

### Base

Polished aluminium 5-star base (chrome effect) Ø700	36	●
Powder coated alluminium 5-star base (colors according to Bejot sampler book) Ø 700	37	○

### Armrests

Without armrests		●
Armrests made of Ø 18 pipe, powder coated without an pad	P26P	○
Armrests of flat bar, powder coated + leather pad	P23P	○
Armrests of flat bar, chromed + leather pad	P23C	○

## LM 5R2 / Technical data

### Castors

	CODE	
Hard castors for soft floors Ø 65 with auto-brake	DEMA	●
Soft castors for hard floors Ø 65 with auto-brake	DEMAD	○
Universal castors without brake, color white	RL W5	○

### Stitches

CODE

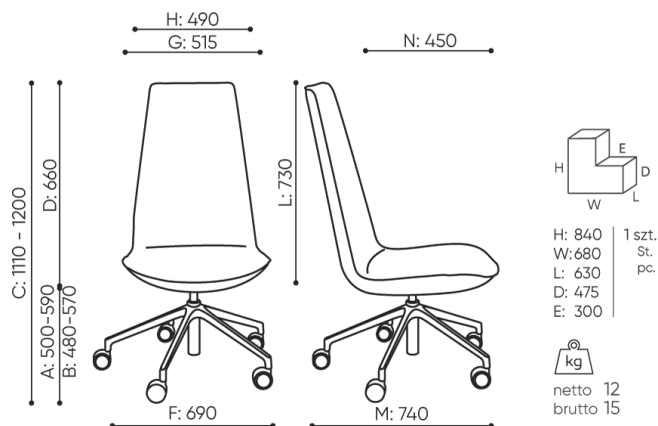
Stitches in the colour of upholstery.

White, grey, orange, red, green or black stitches for leather-upholstered armchairs or for keimo, valencia, silvertex collection upholstery.

## LM 5R2 / Dimensions

Dimensions are approximate and may vary depending on the selected product configuration. The requirements of the standard are always met.

seat height: overall dimensions	A
seat height: measured according to the norm PN EN 1335 - 1	B
chair height adjustment	C
backrest height adjustment	D
headrest height adjustment	E
dimensional width chair / ø base	F
seat width	G
backrest width	H
width between armrests	I
armrest height adjustment	K
backrest length	L
dimensional chair depth	M
seat depth adjustment / seat length	N



LM 5R2