



lupp LUP 10R

Bar stool on wheels

Lupp makes the body move while sitting. The used mechanism allows for dynamic sitting, which strengthens the spine and muscles, and induces a natural, healthy posture.

LUP 10R / Technical data

● Standard ○ Option

Mechanism

Intelligent 3D rotation mechanism that keeps the body in constant motion	Z	●
Rotatable, with height adjustment	A	○

Base

Polished aluminum base (chrome effect) Ø 610	42	●
Powder coated aluminum base (colors according to the Bejot sampler) Ø 610	43	○

Gaslift

Shock absorber - for seats for tables with a max height of 1100 mm (adjustment range of 200 mm)	PG380	●
Shock absorber - for seats for tables with a max height of 900 mm (adjustment range of 200 mm)	PG300	○

LUP 10R / Technical data

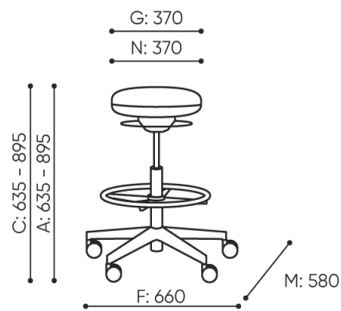
Castors

Universal castors on any surface Ø 50 function SIT & BREAK (lock while sitting)	DRGDB	●
---	-------	---

LUP 10R / Dimensions

Dimensions are approximate and may vary depending on the selected product configuration. The requirements of the standard are always met.

seat height: overall dimensions	A
seat height: measured according to the norm PN EN 1335 - 1	B
chair height adjustment	C
backrest height adjustment	D
headrest height adjustment	E
dimensional width chair / ø base	F
seat width	G
backrest width	H
width between armrests	I
armrest height adjustment	K
backrest length	L
dimensional chair depth	M
seat depth adjustment / seat length	N



H: 950
W: 650
L: 600

1 szt.
St.
pc.



netto 10,5
brutto 14

LUP 10R