

nubi

NB PO23

: product card



Nubi is a timeless, original line of furniture reminiscent of the mid-century style. It is defined by its organic shape and soft form with rounded edges, which lends lightness and elegance to the interior. The collection consists of very comfortable sofas, pouffes and round acoustic walls.

design:
Weronika Politowicz

Product website
[website link](#)



bejot:

collection advantages

ideal for public spaces

Thanks to the materials used, Nubi meets the requirements of intensively used public interiors and can enhance hotel lobbies and the open spaces of offices, banks and shopping centres.

choose your colour

Nubi has the advantage of being able to choose the type and colour of the upholstery and to personalise the base (powder-coated metal or oak wooden legs).

additional top

A small table mounted to the seat allows you to put down your phone, notepad or small laptop.

technical data

NB PO23

Standard ●
Option ○

Base

Legs: powder coated		●
Legs: solid oak wood - natural color	O1	○

Feet

Adjustable feet for ceramic, concrete and carpet floors	LK	●
Adjustable felt feet for wooden floors and panels	LF	○

Mediaport

Round PIX mediaport (black-B) - 1 voltage socket 230 V	[type]1V	○
Round PIX mediaport (black-B) - 2 x USB charger	M1CC	○

Table

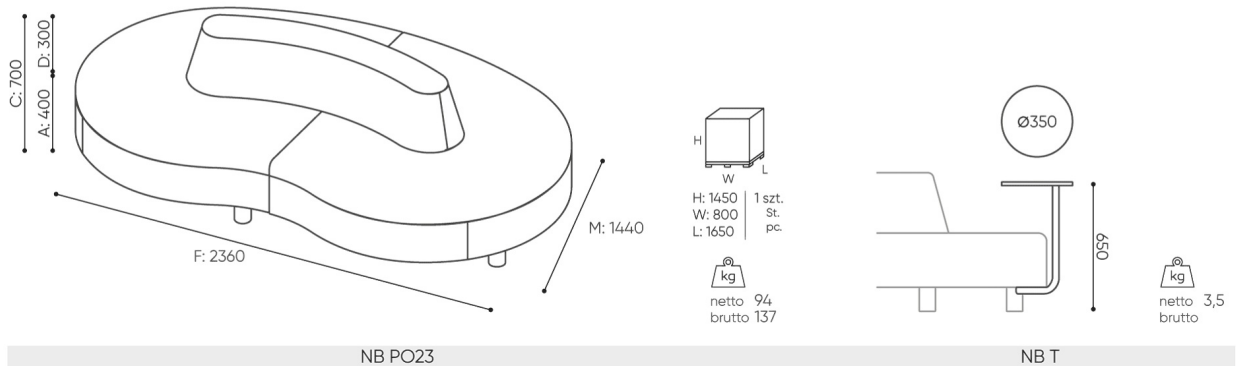
Powder coated + laminated board top	TL	○
Powder coated + finger joint solid oak top	TO	○

Upholstery

Version with backrest can be made in 2 colors within the same upholstery (1 color - seat / 2 color - backrest)		○
--	--	---

dimensions

NB PO23



NB PO23 NB T

C	overall height	G	seat width	M	overall depth
D	backrest height	H	backrest width	N	seat depth

All dimensions are in [mm] and refer to basic version products. The indicated dimensions can change depending on the selected equipment package. Bejot reserves the right to change selected elements and this may slightly affect the product's dimensions. In case of any special requirements on dimensions of a given product, the afore-mentioned information should be acknowledged by the Producer. The specification does not constitute an offer within the meaning of the Civil Code. Dimensions and weights are approximate and may vary by 5%. The requirements of the standard are always met.

materials available for collection

1st price group	Fenno, Keimo, Lodge
2nd price group	Alaska, Alpa, Charles, Charles - Studio Design, Cura, Roccia, Valencia
3rd price group	Ally, Ally-Studio Design, Alpa-Studio Design, Blazer, Cura - Studio Design, Cyber-Studio Design, Silvertex , Silvertex - Studio Design, Synergy, Synergy - Studio Design, Valencia - Studio Design
4th price group	Remix - Studio Design
5th price group	Steelcut Trio 3-Studio Design
Tabletop	Laminated tabletop, Finger joint wood
Wood	Solid oak wood, Solid oak wood - clear varnish matt
Metal	Metal - powder coated

bejot:nubi

