

# orte

## OT 3DH 5R

### : product card



The Orte collection is a wide range of chairs, hockers, benches and tables , which conceal functionality and versatility. The lightness of construction goes hand in hand with high durability confirmed by laboratory tests. The collection has been a bestseller in our offer for many years.

**design:**  
**Włodzimierz Orsztynowicz**

**Product website**  
[website link](#)



# bejot:

# collection advantages

## wide possibilities

The chair's simplicity of design and wide positioning options make Orte ideal for everyday use in the office, home, restaurant, lobby, canteen and public spaces.

## distinctive stitching

A characteristic feature of the Orte 3DH is the stitching. The use of contrasting threads is an option.

## technical data

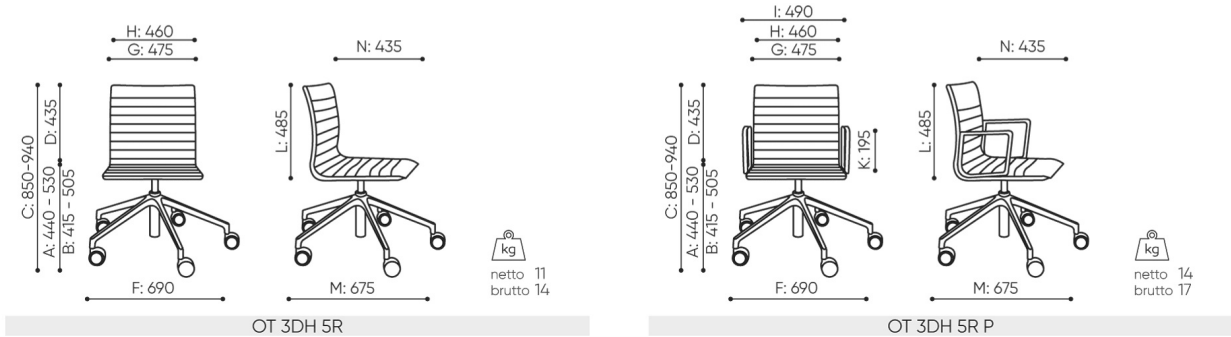
OT 3DH 5R

Standard ●  
Option ○

Mechanism	CODE	
Rotatable, with height adjustment	A	●
Rotable mechanism with 3d motion function (forward, backward and sideways) and height adjustment	O5	○
<b>Base</b>		
Polished aluminum 5-star base (chrome effect) Ø700+castors DEMA	36	●
Powder painted aluminum 5-star base (colors according to Bejot sampler book) Ø700+castors DEMA	37	○
<b>Armrests</b>		
Without arms		●
Made of Ø18 pipe, powder coated without an pad	P24P	○
Powder coated armrests + leather pad	P21P	○
<b>Castors</b>		
Hard castors for soft floors Ø 65 with auto-brake	DEMA	●
Soft castors for hard floors Ø 65 with auto-brake	DEMAD	○
Universal castors without brake, color white	RL W5	○
<b>Stitches</b>		
Stitches in the colour of upholstery.		●
White, grey, orange, red, green or black stitches for leather-upholstered armchairs or for keimo, valencia, silvertex collection upholstery.		○

# dimensions

## OT 3DH 5R



- |  |   |   |
|--|---|---|
| <b>B</b> seat height: measured according to the norm<br>PN EN 1335-1 with a load of 640N | <b>F</b> dimensional width chair / base | <b>K</b> height from the floor to the armrest |
| <b>C</b> chair height adjustment   | <b>G</b> seat width                     | <b>L</b> backrest length                      |
| <b>D</b> backrest height adjustment  | <b>H</b> backrest width                 | <b>M</b> dimensional chair depth              |
|  |   | <b>N</b> seat depth adjustment / seat length  |

All dimensions are in [mm] and refer to basic version products. The indicated dimensions can change depending on the selected equipment package. Bejot reserves the right to change selected elements and this may slightly affect the product's dimensions. In case of any special requirements on dimensions of a given product, the afore-mentioned information should be acknowledged by the Producer. The specification does not constitute an offer within the meaning of the Civil Code. Dimensions and weights are approximate and may vary by 5%. The requirements of the standard are always met.

## materials available for collection

1st price group	Bond, Fenno, Keimo, Lodge, Sawana
2nd price group	Alaska, Alpa, Charles, Charles - Studio Design, Cura, Era - Studio Design, Roccia, Valencia
3rd price group	Ally, Ally-Studio Design, Blazer, Cura - Studio Design, Cyber-Studio Design, Easy - Studio Design, Oceanic, Silvertex , Silvertex - Studio Design, Synergy, Synergy - Studio Design, Valencia - Studio Design
4th price group	Oceanic-Studio Design, Remix - Studio Design
Leather	Leather
Metal	Metal - powder coated, Metal ALU/chrom
Decorative stitch	Decorative stitch

bejot:orte

