



orte OT W HS

Functionality & lightness

The Orte is by definition an economic form that hides inside functionality and versatility. The lightness of the structure goes hand in hand with the strength confirmed by the certificate.

Great possibilities

A simplicity of the design and the wide possibilities of arranging chairs and tables make the Orte perfect for everyday use in the office, home, restaurant, hall, canteen and public space.

OT W HS / Technical data

Standard Option

Base

Legs: solid oak wood - natural color (O1) + reinforced with chromed metal rod

Legs: wooden - coloring (O3) + reinforced with chromed metal rod

The colors of chairs' finishing

CPL white/ charcoal/ black

Feet

CODE

Felt feet for wooden floors and panels

WF

Feet for ceramic floors, concrete and carpets

WK

OT W HS / Technical data

Code names marks

CODE

Whole CPL/ plywood

1N

Whole upholstered

4N

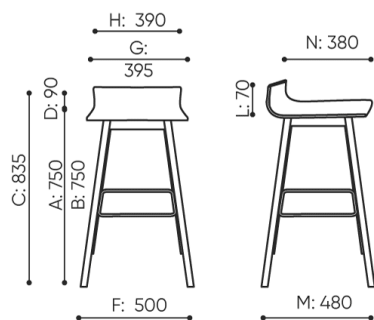
Whole upholstered with horizontal stiches

3D

OT W HS / Dimensions

Dimensions are approximate and may vary depending on the selected product configuration. The requirements of the standard are always met.

seat height: overall dimensions	A
seat height: measured according to the norm PN EN 1335 - 1	B
chair height	C
backrest height	D
headrest height	E
dimensional width chair / ø base	F
seat width	G
backrest width	H
width between armrests	I
height from the floor to the armrest	K
backrest length	L
dimensional chair depth	M
seat depth / seat length	N

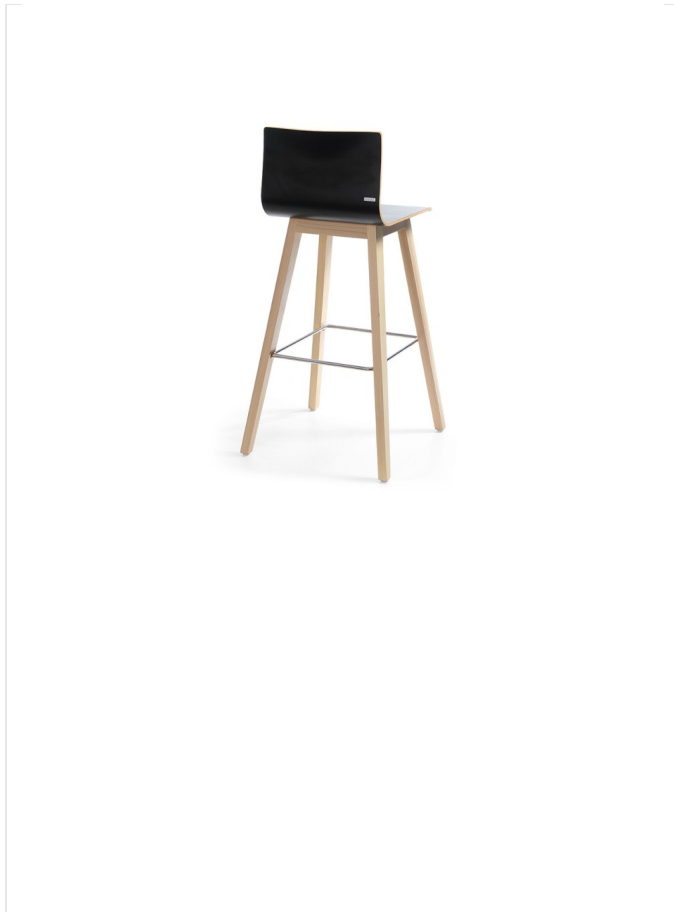


H: 860 | 1 szt.
W: 570 | St.
L: 610 | pc.



netto 6,5
brutto 9,5

OT W HS 1N



orte OT W H

Functionality & lightness

The Orte is by definition an economic form that hides inside functionality and versatility. The lightness of the structure goes hand in hand with the strength confirmed by the certificate.

Great possibilities

A simplicity of the design and the wide possibilities of arranging chairs and tables make the Orte perfect for everyday use in the office, home, restaurant, hall, canteen and public space.

OT W H / Technical data

● Standard ○ Option

Base

- Legs: solid oak wood - natural color (O1) + reinforced with chromed metal rod ●
- Legs: wooden - coloring (O3) + reinforced with chromed metal rod ○

The colors of chairs' finishing

- CPL white/ charcoal/ black ●

Feet

CODE

- Felt feet for wooden floors and panels WF ●
- Feet for ceramic floors, concrete and carpets WK ○

OT W H / Technical data

Code names marks

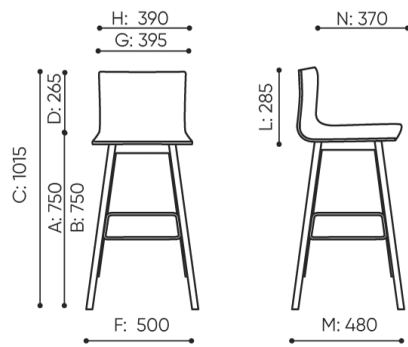
CODE

- Whole CPL/ plywood 1N
- Whole upholstered 4N
- Whole upholstered with horizontal stiches 3D

OT W H / Dimensions

Dimensions are approximate and may vary depending on the selected product configuration. The requirements of the standard are always met.

seat height: overall dimensions	A
seat height: measured according to the norm PN EN 1335 - 1	B
chair height	C
backrest height	D
headrest height	E
dimensional width chair / ø base	F
seat width	G
backrest width	H
width between armrests	I
height from the floor to the armrest	K
backrest length	L
dimensional chair depth	M
seat depth / seat length	N



H: 1070 | 1 szt.
W: 660 | St.
L: 610 | pc.



netto 7
brutto 10

OT W H 1N



orte OT H

Functionality & lightness

The Orte is by definition an economic form that hides inside functionality and versatility. The lightness of the structure goes hand in hand with the strength confirmed by the certificate.

Great possibilities

A simplicity of the design and the wide possibilities of arranging chairs and tables make the Orte perfect for everyday use in the office, home, restaurant, hall, canteen and public space.

OT H / Technical data

Standard Option

Base	CODE
Chromed	<input checked="" type="radio"/>
The colors of chairs' finishing	
CPL white/ charcoal/ black	<input checked="" type="radio"/>
Slides	CODE
Glides for ceramic floors, concrete and carpets	PK <input checked="" type="radio"/>
Felt glides for wooden floors and floor panels	PF <input type="radio"/>

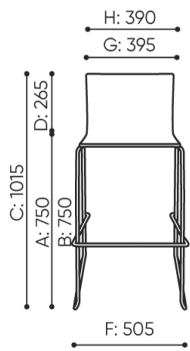
OT H / Technical data

Code names marks	CODE
Whole CPL	1N
Whole upholstered	4N
Whole upholstered with horizontal stiches	3D

OT H / Dimensions

Dimensions are approximate and may vary depending on the selected product configuration. The requirements of the standard are always met.

seat height: overall dimensions	A
seat height: measured according to the norm PN EN 1335 - 1	B
chair height	C
backrest height	D
headrest height	E
dimensional width chair / ø base	F
seat width	G
backrest width	H
width between armrests	I
height from the floor to the armrest	K
backrest length	L
dimensional chair depth	M
seat depth / seat length	N

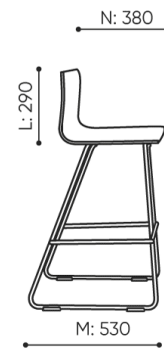
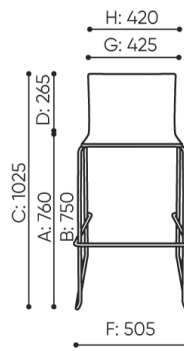


H: 1070 | 1-2
W: 660 | szt.
L: 610 | pc./St.



netto 8
brutto 11

OT H 1N



H: 1070 | 1-2
W: 660 | szt.
L: 610 | pc./St.



netto 8,5
brutto 11,5

OT H 4N



orte OT HS

Functionality & lightness

The Orte is by definition an economic form that hides inside functionality and versatility. The lightness of the structure goes hand in hand with the strength confirmed by the certificate.

Great possibilities

A simplicity of the design and the wide possibilities of arranging chairs and tables make the Orte perfect for everyday use in the office, home, restaurant, hall, canteen and public space.

OT HS / Technical data

Standard Option

Base	CODE
Chromed	<input checked="" type="radio"/>
The colors of chairs' finishing	
CPL white/ charcoal/ black	<input checked="" type="radio"/>
Slides	
Glides for ceramic floors, concrete and carpets	PK <input checked="" type="radio"/>
Felt glides for wooden floors and floor panels	PF <input type="radio"/>

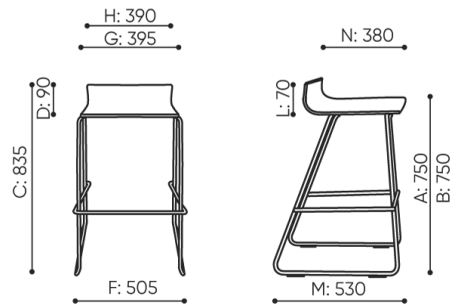
OT HS / Technical data

Code names marks	CODE
Whole CPL/ plywood	1N
Whole upholstered	4N
Whole upholstered with horizontal stiches	3D

OT HS / Dimensions

Dimensions are approximate and may vary depending on the selected product configuration. The requirements of the standard are always met.

seat height: overall dimensions	A
seat height: measured according to the norm PN EN 1335 - 1	B
chair height	C
backrest height	D
headrest height	E
dimensional width chair / ø base	F
seat width	G
backrest width	H
width between armrests	I
height from the floor to the armrest	K
backrest length	L
dimensional chair depth	M
seat depth / seat length	N



H: 860	1 szt.
W: 570	St.
L: 610	pc.
H: 1070	2 szt.
W: 660	St.
L: 610	pc.



netto 7,5
brutto 10,5

OT HS 1N