

orte

OT 22X

: product card



The Orte collection is a wide range of chairs, hockers, benches and tables , which conceal functionality and versatility. The lightness of construction goes hand in hand with high durability confirmed by laboratory tests. The collection has been a bestseller in our offer for many years.

design:
Włodzimierz Orsztynowicz

Product website
[website link](#)



bejot:

collection advantages

reliability and universality

Orte benches are designed for communication areas such as railway stations, airports, lobbies and waiting rooms, among others. Their durability and reliability make them ideal for heavily used areas.

possible configurations

Orte benches are freely configurable and can have from 2 to 5 seats. A practical top can also be fitted in place of a seat.

technical data

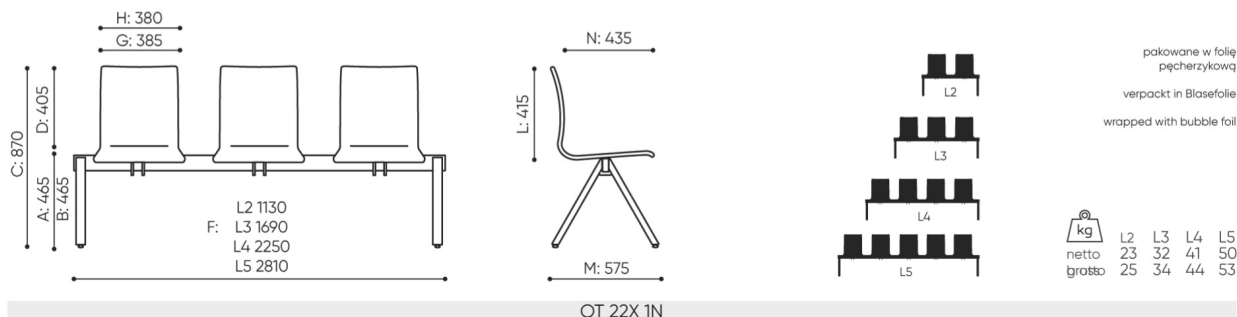
OT 22X

Standard ●
Option ○

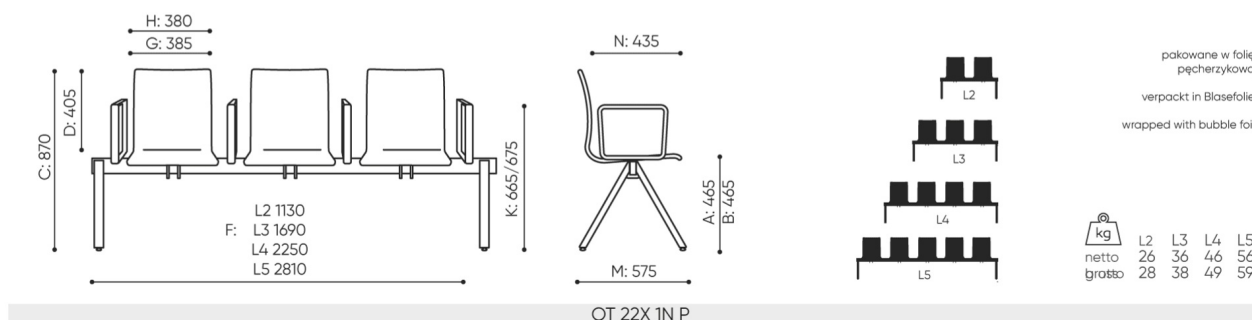
Base	CODE	
Powder painted on ALU colour + a black bar	B5AL	●
Chromium-nickel steel (acid-resistant) AISI 304 18/ 10CrNi - high resistance to detergents - legs; bar made from standard powder-painted black steel	B5KW	○
Black construction made of high-strength polymer (nylon) + black bar	B5NL	○
The colours of chairs' finishing		
CPL colour white/ charcoal/ black		●
Armrests		
Powder painted armrests (colors according to the Bejot pattern book) with a leather pad - 1 piece	P31	○
Armrests		
Powder painted armrests (colors according to the Bejot pattern book) with a leather pad - 1 piece	P31	○

dimensions

OT 22X



bejot:orte



- B** seat height: measured according to the norm PN EN 1335-1 with a load of 640N
- C** chair height adjustment
- D** backrest height adjustment

- F** dimensional width chair / base
- G** seat width
- H** backrest width

- K** height from the floor to the armrest
- L** backrest length
- M** dimensional chair depth
- N** seat depth adjustment / seat length

All dimensions are in [mm] and refer to basic version products. The indicated dimensions can change depending on the selected equipment package. Bejot reserves the right to change selected elements and this may slightly affect the product's dimensions. In case of any special requirements on dimensions of a given product, the afore-mentioned information should be acknowledged by the Producer. The specification does not constitute an offer within the meaning of the Civil Code. Dimensions and weights are approximate and may vary by 5%. The requirements of the standard are always met.

materials available for collection

1st price group	Bond, Fenno, Keimo, Lodge, Sawana
2nd price group	Alpa, Charles, Charles - Studio Design, Pastel, Roccia, Valencia
3rd price group	Ally, Ally-Studio Design, Alpa-Studio Design, Blazer, Easy - Studio Design, Oceanic, Silvertex , Silvertex - Studio Design, Synergy, Synergy - Studio Design, Valencia - Studio Design
4th price group	Oceanic-Studio Design, Remix - Studio Design
5th price group	Steelcut Trio 3-Studio Design
Leather	Leather
Tabletop	Laminated tabletop
CPL	Laminate
Metal	Metal - powder coated, Metal ALU/black

bejot:orte

