

be:basic offer

OT 220 A be:basic

: product card



Products withdrawn from the offer with extended lead time.
Available only while stock lasts.

design:

Product website
[website link](#)



bejot:

collection advantages

technical data

OT 220 A be:basic

Standard ●
Option ○

bejot:be:basic offer

Base

Powder painted (colors according to the Bejot sampler book) ●

The colors of chairs' finishing

CPL white/ charcoal/ black ●

Armrests / writing tablet

Polyurethane armrests, black PU ●

Mobile writing desk: CPL P ○

Additional equipment

Black underside of the seat, protecting chairs against scratching during stacking (for chairs without a connector) CP ●

Distances to protect against scratching during stacking for version 1N (for chairs with connectors) DN ○

Panel protecting the seat during the stacking function (for chairs with a connector) CV ○

The connector attached to the chair seat L ○

Feet

CODE

Feet for ceramic floors, concrete and carpets CK ●

Felt feet for wooden floors and panels CF ○

The system of joining rows and rows with each other

CODE

The molding connecting 4 chairs (length 3000 mm) LR1 ○

Set: The bar combining 4 chairs (length: 3000 mm)+ 2 x row connector (length: 1000 mm) LR4-SET ○

Code names marks

CODE

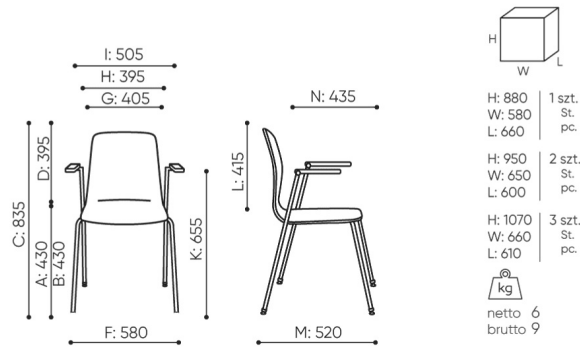
Whole CPL 1N

Upholstered seat cover 2N

Product available while stocks last

dimensions

OT 220 A be:basic



OT 220 1N A

- B** seat height: measured according to the norm PN EN 1335-1 with a load of 640N
- C** chair height adjustment
- D** backrest height adjustment
- F** dimensional width chair / base
- G** seat width
- H** backrest width
- K** height from the floor to the armrest
- L** backrest length
- M** dimensional chair depth
- N** seat depth adjustment / seat length

All dimensions are in [mm] and refer to basic version products. The indicated dimensions can change depending on the selected equipment package. Bejot reserves the right to change selected elements and this may slightly affect the product's dimensions. In case of any special requirements on dimensions of a given product, the afore-mentioned information should be acknowledged by the Producer. The specification does not constitute an offer within the meaning of the Civil Code. Dimensions and weights are approximate and may vary by 5%. The requirements of the standard are always met.

bejot:be:basic offer

materials available for collection

1st price group

Lodge

2nd price group

Alaska



bejot:be:basic offer