

# be:basic offer

OT 215 A be:basic

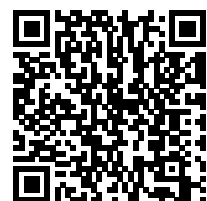
: product card



Products withdrawn from the offer with extended lead time.  
Available only while stock lasts.

**design:**

Product website:  
[\(click\)](#)



# bejot:

# collection advantages

## technical data

OT 215 A be:basic

Standard ●  
Option ○

### Base

Powder painted (colors according to the Bejot sampler book)

The colors of chairs' finishing

CPL white/ charcoal/ black

Additional equipment

Black underside of the seat, protecting chairs against scratching during stacking (for chairs without a connector) CP

Distances to protect against scratching during stacking for version 1N (for chairs with connectors) DN

Panel protecting the seat during the stacking function (for chairs with a connector) CV

The connector attached to the chair seat L

### Feet

Feet for ceramic floors, concrete and carpets

Felt feet for wooden floors and panels

### CODE

CK

CF

### The system of joining rows and rows with each other

The molding connecting 4 chairs (length 3000 mm)

Set: The bar combining 4 chairs (length: 3000 mm)+ 2 x row connector (length: 1000 mm)

### CODE

LR1

LR4-SET

### Code names marks

Whole CPL

Upholstered seat cover

Product available while stocks last

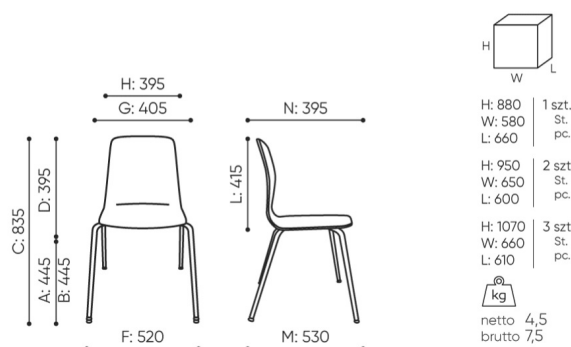
### CODE

1N

2N

## dimensions

OT 215 A be:basic



OT 215 A 1N

bejot:be:basic offer

- A seat height:  
overall dimensions
- seat height:  
measured
- B according to the  
norm PN EN 1335 -  
1
- C chair height
- D backrest height
- E headrest height
- F dimensional width  
chair / base
- G seat width
- H backrest width
- I width between  
armrests
- K height from the  
floor to the  
armrest
- L backrest length
- M dimensional chair  
depth
- N seat depth / seat  
length

Dimensions are approximate and may vary depending on the selected product configuration. The requirements of the standard are always met.

materials available for collection

# be:basic offer

OT 220 A be:basic

: product card

**bejot:**



Product website:  
[\(click\)](#)



**collection advantages**  
Products withdrawn from the offer with extended lead time.  
Available only while stock lasts.

**design:**

**technical data**

OT 220 A be:basic

Standard ●  
Option ○

**Base**

Powder painted (colors according to the Bejot sampler book)

The colors of chairs' finishing

CPL white/ charcoal/ black

Armrests / writing tablet

Polyurethane armrests, black

Mobile writing desk: CPL

PU  
P

**Additional equipment**

Black underside of the seat, protecting chairs against scratching during stacking (for chairs without a connector) CP

Distances to protect against scratching during stacking for version 1N (for chairs with connectors) DN

Panel protecting the seat during the stacking function (for chairs with a connector) CV

The connector attached to the chair seat L

**Feet**

Feet for ceramic floors, concrete and carpets

Felt feet for wooden floors and panels

**CODE**

CK  
CF

**The system of joining rows and rows with each other**

The molding connecting 4 chairs (length 3000 mm)

Set: The bar combining 4 chairs (length: 3000 mm)+ 2 x row connector (length: 1000 mm)

**CODE**

LR1  
LR4-SET

### Code names marks

Whole CPL

Upholstered seat cover

Product available while stocks last

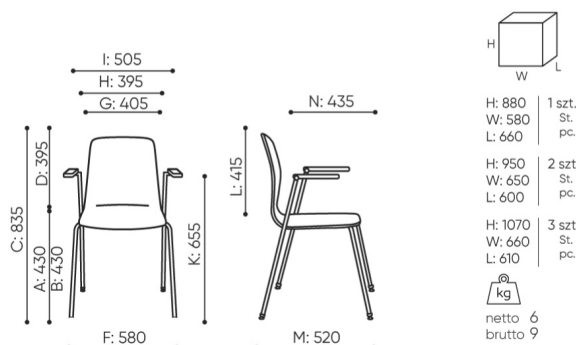
## dimensions

OT 220 A be:basic

### CODE

1N

2N



OT 220 1N A

A seat height:  
overall dimensions

seat height:  
measured  
B according to the  
norm PN EN 1335 -  
1

C chair height

D backrest height

E headrest height

F dimensional width  
chair / base

G seat width

H backrest width

I width between  
armrests

K height from the  
floor to the  
armrest

L backrest length

M dimensional chair  
depth

N seat depth / seat  
length

Dimensions are approximate and may vary depending on the selected product configuration. The requirements of the standard are always met.

bejot:be:basic offer

materials available for collection

# be:basic offer

OT W 715 A be:basic

: product card



Products withdrawn from the offer with extended lead time.  
Available only while stock lasts.

**design:**

Product website:  
[\(click\)](#)



# bejot:

**collection advantages**

## technical data

OT W 715 A be:basic

Standard  
Option



Base

Legs: solid oak wood – natural color (O1)

Legs: wooden – coloring (O3)

### The colours of chairs' finishing

CPL colour white/ charcoal/ black

### Feet

Feet for ceramic floors, concrete, carpets

Felt feet for wooden floors, panels

### CODE

### CODE

WK

WF

### Code names marks

Whole CPL/ plywood

Upholstered seat cover

Product available while stocks last

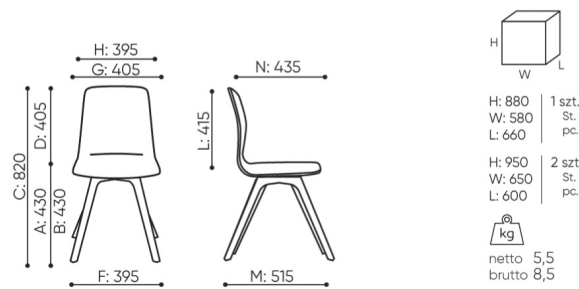
### CODE

1N

2N

## dimensions

OT W 715 A be:basic



OT W 715 A 1N

A seat height:  
overall dimensions

seat height:  
measured

B according to the  
norm PN EN 1335 -  
1

C chair height

D backrest height

E headrest height

F dimensional width  
chair / base

G seat width

H backrest width

I width between  
armrests

K height from the  
floor to the  
armrest

L backrest length

M dimensional chair  
depth

N seat depth / seat  
length

Dimensions are approximate and may vary depending on the selected product configuration. The requirements of the standard are always met.

## materials available for collection

