

# ox:co\_small

OX S 10R

: product card



A smaller version of the extremely popular chair collection, its well-known design retained in a smaller shell form. With its new dimensions, the chair takes up less space, making it lighter and more mobile. Ox:co small strikes the perfect balance between design, functionality and price.

**design:**  
**Bejot Development Team**

**Product website**  
[website link](#)



**bejot:**

# collection advantages

## Comfortable bar chair

The bar stools from the Ox:co small collection offer maximum seating comfort with a stylish shape at the same time. The bucket adjusts to the line of the back and provides excellent support for a fatigued spine. The metal frame features a comfortable footrest.

Bar stools are becoming more and more common. They appear not only in pubs and cafes, but are also often used in offices and homes.

Ox:co is a popular collection designed by Włodzimierz Orsztynowicz, which has been enthusiastically bought by our customers for years. The mini version is a well-known design retained in a smaller bucket form.

## technical data

OX S 10R

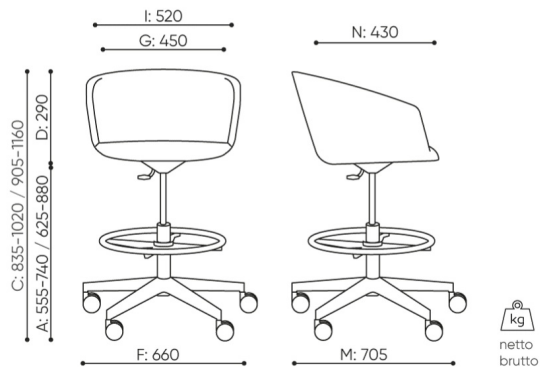
Standard ●  
Option ○

Mechanism	Code	
Rotatable, with height adjustment	A	●
Rotable with 3d motion function (forward, backward and sideways) and height adjustment	O5	○
Gaslift		
Shock absorber - for seats for tables with a max height of 1100 mm (adjustment range of 200 mm)	PG380	●
Shock absorber - for seats for tables with a max height of 900 mm (adjustment range of 200 mm)	PG300	○
Base	Code	
Plastic 5-star base (nylon) Ø700 + standard black ring (RB)	17	●
Polished aluminium 5-star base (chrome effect) Ø690	22	○
Powder coated aluminium 5-star base (colors according to Bejot sampler book) Ø 690	23	○
Powder coated aluminium 5-star base (colors according to Bejot sampler book) Ø 700 SB	33	○
Ring		
Chrome RING with self-locking system for quick and easy height adjustment		●
Powder coated RING with self-locking system for quick and easy height adjustment		○
Castors	Code	
Universal castors on any surface Ø 50 function SIT & BREAK (lock while sitting)	DRGDB	●

bejot:ox:co\_small

# dimensions

## OX S 10R



OX S 10R

- |   |   |   |
|---|---|---|
| <b>B</b> seat height: measured according to the norm PN EN 1335-1 with a load of 640N | <b>F</b> dimensional width chair / base | <b>K</b> height from the floor to the armrest |
| <b>C</b> chair height adjustment  | <b>G</b> seat width                     | <b>L</b> backrest length                      |
| <b>D</b> backrest height adjustment   | <b>H</b> backrest width                 | <b>M</b> dimensional chair depth              |
|   |   | <b>N</b> seat depth adjustment / seat length  |

All dimensions are in [mm] and refer to basic version products. The indicated dimensions can change depending on the selected equipment package. Bejot reserves the right to change selected elements and this may slightly affect the product's dimensions. In case of any special requirements on dimensions of a given product, the afore-mentioned information should be acknowledged by the Producer. The specification does not constitute an offer within the meaning of the Civil Code. Dimensions and weights are approximate and may vary by 5%. The requirements of the standard are always met.

## materials available for collection

1st price group	Bond, Fenno, Keimo, Sawana
2nd price group	Alaska, Alpa, Charles, Charles - Studio Design, Cura, Pastel, Roccia, Valencia
3rd price group	Ally, Ally-Studio Design, Alpa-Studio Design, Blazer, Cura - Studio Design, Cyber-Studio Design, Easy - Studio Design, Oceanic, Silvertex , Silvertex - Studio Design, Synergy, Synergy - Studio Design, Valencia - Studio Design
4th price group	Heritage - Studio Design, Oceanic-Studio Design, Remix - Studio Design
5th price group	Steelcut Trio 3-Studio Design
Leather	Leather
Metal	Metal - powder coated, Metal ALU/chrom

bejot:ox:co\_small



