

ox:co_small

OX S HN

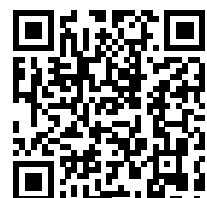
: product card



A smaller version of the extremely popular chair collection, its well-known design retained in a smaller shell form. With its new dimensions, the chair takes up less space, making it lighter and more mobile. Ox:co small strikes the perfect balance between design, functionality and price.

design:
Bejot Development Team

Product website
[website link](#)



bejot:

collection advantages

Comfortable bar chair

The bar stools from the Ox:co small collection offer maximum seating comfort with a stylish shape at the same time. The bucket adjusts to the line of the back and provides excellent support for a fatigued spine. The metal frame features a comfortable footrest.

Bar stools are becoming more and more common. They appear not only in pubs and cafes, but are also often used in offices and homes.

Ox:co is a popular collection designed by Włodzimierz Orsztynowicz, which has been enthusiastically bought by our customers for years. The mini version is a well-known design retained in a smaller bucket form.

technical data

OX S HN

Standard ●
Option ○

Base

Powder painted (colors according to the Bejot sampler book)

●

Feet

Feet for soft floor

TK

●

Felt feet for hard floor

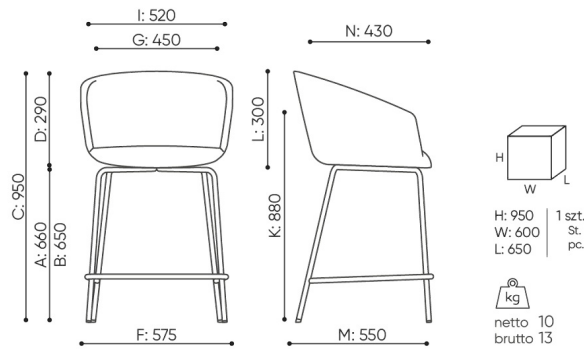
TF

○

Dedicated to tables with a height of 900 mm

dimensions

OX S HN



OX S HN

B seat height: measured according to the norm PN EN 1335-1 with a load of 640N	F dimensional width chair / base	K height from the floor to the armrest
C chair height adjustment	G seat width	L backrest length
D backrest height adjustment	H backrest width	M dimensional chair depth
		N seat depth adjustment / seat length

All dimensions are in [mm] and refer to basic version products. The indicated dimensions can change depending on the selected equipment package. Bejot reserves the right to change selected elements and this may slightly affect the product's dimensions. In case of any special requirements on dimensions of a given product, the afore-mentioned information should be acknowledged by the Producer. The specification does not constitute an offer within the meaning of the Civil Code. Dimensions and weights are approximate and may vary by 5%. The requirements of the standard are always met.

materials available for collection

1st price group	Bond, Fenno, Keimo, Lodge, Sawana
2nd price group	Alaska, Alpa, Charles, Charles - Studio Design, Cura, Pastel, Roccia, Valencia
3rd price group	Ally, Ally-Studio Design, Alpa-Studio Design, Blazer, Cura - Studio Design, Cyber-Studio Design, Easy - Studio Design, Oceanic, Silvertex , Silvertex - Studio Design, Synergy, Synergy - Studio Design, Valencia - Studio Design
4th price group	Oceanic-Studio Design, Remix - Studio Design
5th price group	Steelcut Trio 3-Studio Design
Leather	Leather
Metal	Metal - powder coated

bejot:ox:co_small

