

# saar

## SM HS 1x4

### : product card



A modular, functional shelving system with a steel structure. Each shelving unit can be customised with a unique size and shape. Additional accessories like shelves, lockable cabinets, hangers and seats make the Saar system truly multifunctional. The shelving can be hung on a wall or used to divide an open space, build a counter and much more.

**design:**  
**Krzysztof Sarnowski**

**Product website**  
[website link](#)



# bejot:

# collection advantages

## Function and nobility

A system of industrial shelves with a geometric construction that can be varied with seats, shelves and other accessories. These elements change the function of the furniture, giving it a unique form.

Saar is an extremely functional system for an office or reception, impresses with careful workmanship, attention to every detail and the use of durable and noble materials.

## Saar hang

Saar hang has narrower modules for hanging on the wall. Furniture organizes items placed on it and can be used to divide the office space, creating functional arrangements.

A wide range of varnishes, laminates and upholstery fabrics allows you to design an individual and functional product.

## technical data

SM HS 1x4

Standard ●  
Option ○

### Base

---

Powder coated, colors (structure): white, black, graphite 7024S

●

### Wall hanging / fixing system

---

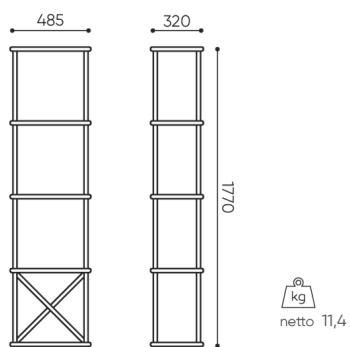
The set of fastenings for screwing or hanging the shelf unit to the wall (without screws)

SM FR HG

●

## dimensions

SM HS 1x4



SM HS 1X4

All dimensions are in [mm] and refer to basic version products. The indicated dimensions can change depending on the selected equipment package. Bejot reserves the right to change selected elements and this may slightly affect the product's dimensions. In case of any special requirements on dimensions of a given product, the afore-mentioned information should be acknowledged by the Producer. The specification does not constitute an offer within the meaning of the Civil Code. Dimensions and weights are approximate and may vary by 5%. The requirements of the standard are always met.

## materials available for collection

1st price group	Bond, Fenno, Sawana
2nd price group	Alaska, Alpa, Charles, Charles - Studio Design, Cura, Pastel, Roccia
3rd price group	Ally, Ally-Studio Design, Alpa-Studio Design, Blazer, Cura - Studio Design, Cyber-Studio Design, Easy - Studio Design, Oceanic, Silvertex , Synergy, Synergy - Studio Design
4th price group	Oceanic-Studio Design, Remix - Studio Design
5th price group	Steelcut Trio 3-Studio Design
Tabletop	Laminated tabletop, Finger joint wood
Metal	Metal - powder coated

bejot:saar

