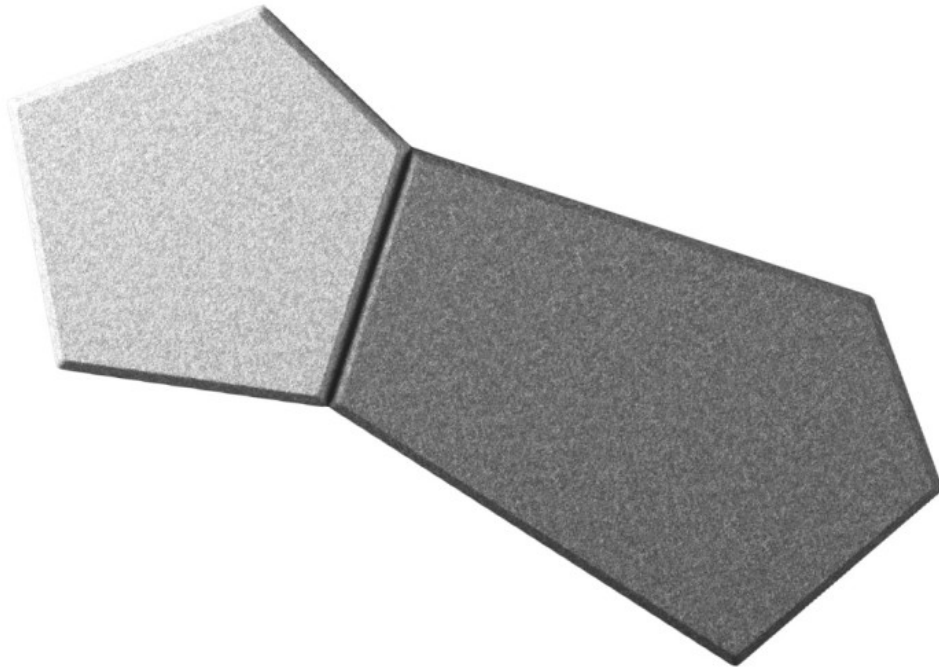


silent_block

SBW P60 + P105

: product card



Offering modern design and easy installation, the silent block collection allows you to creatively arrange your space without compromising on acoustic performance. A wide range of upholstery fabrics and a multitude of available shapes provide limitless possibilities for creating layouts to suit any interior.

design:
Bejot Development Team

Product website
[website link](#)



bejot:

collection advantages

Variety of shapes

The Silent Blocks is an acoustic novelty, thanks to which choosing a right shape of the acoustic panel for the interior will become as easy as ABC without compromising the excellent acoustic parameters.

Lightness of panels

The lightness of the panels makes them work perfectly not only as the wall panels, but also the ceiling panels and allow you for creating the countless creative designs. Get crazy with the form of the Silent Blocks and show that the acoustics do not have to be boring.

Acoustic parameters

Sound absorption coefficient α_w according to PN-EN ISO 11654:1999 - **0,85 (H)**
Sound absorption class acc. to PN-EN ISO 11654:1999 - **B**

technical data

SBW P60 + P105

Standard ●
Option ○

LED Backlight

LED strip with power supply: 4000K color (neutral white)	4000K	○
LED strip with power supply: 3000K color (warm white)	3000K	○
Non-contact switch enabling smooth adjustment of light intensity	REG	○

Mounting kits with backlight

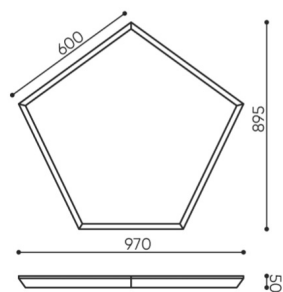
Black hangers (2 pcs) for a single panel with a distance of 20 mm from the wall	WD-A1	○
Black hangers (2 pcs) for a single panel with a distance of 50 mm from the wall	WD-A2	○

Mounting kits without backlight

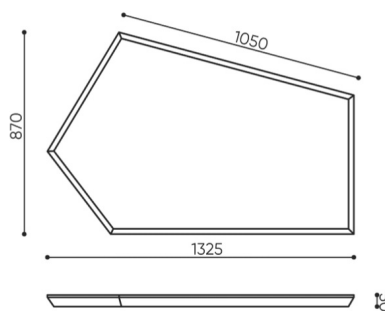
Wall mounting kit		●
-------------------	--	---

dimensions

SBW P60 + P105



 kg
netto 18
brutto 19



 kg
netto 8,7
brutto 10

SBS / SBW P60

SBS / SBW P105

All dimensions are in [mm] and refer to basic version products. The indicated dimensions can change depending on the selected equipment package. Bejot reserves the right to change selected elements and this may slightly affect the product's dimensions. In case of any special requirements on dimensions of a given product, the afore-mentioned information should be acknowledged by the Producer. The specification does not constitute an offer within the meaning of the Civil Code. Dimensions and weights are approximate and may vary by 5%. The requirements of the standard are always met.

materials available for collection

1st price group	Bond, Fenno, Sawana
2nd price group	Alaska, Alpa, Charles, Charles - Studio Design, Cura, Pastel, Roccia
3rd price group	Ally, Ally-Studio Design, Alpa-Studio Design, Blazer, Cura - Studio Design, Cyber-Studio Design, Easy - Studio Design, Oceanic, Synergy, Synergy - Studio Design
4th price group	Heritage - Studio Design, Oceanic-Studio Design, Remix - Studio Design
5th price group	Steelcut Trio 3-Studio Design

bejot:silent_block

