

# vieni

VE W 742

: product card



An elegant armchair that provides unparalleled comfort. The distinctive Italian design is evident in every detail. It fits perfectly into modern public interiors, domestic interiors and cosy lounge-type spaces. This collection invites you to relax and unwind.

**design:**  
**Edi & Paolo Ciani**

**Product website**  
[website link](#)



# bejot:

# collection advantages

## Italian design

The Vieni is a spacious and comfortable armchair, ensuring extraordinary comfort. Thanks to a design made by Edie & Paolo Cianich, an expressive language of the Italian design is visible in every detail. A smooth sewing line emphasises a spherical form of the armchair.

## Attention to details

Attention to finishing and the highest quality of the used components makes it modern and elegant. The Vieni fits perfectly into the modern public interiors, home spaces and cosy spaces of the lounge type. It is a collection that invites you to rest and relax.

## technical data

VE W 742

Standard ●  
Option ○

### Base

---

Legs: solid oak wood - natural color (O1)

●

Legs: solid wood - black coloring (O3)

○

### Additional equipment

---

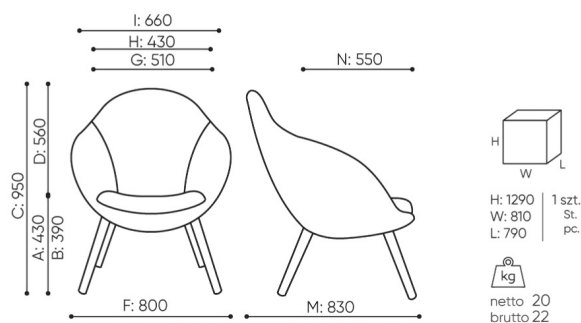
Felt feet on wooden floors and panels

DF

○

# dimensions

VE W 742



VE W 742

**B** seat height: measured according to the norm  
PN EN 1335-1 with a load of 640N

**C** chair height adjustment

**D** backrest height adjustment

**F** dimensional width chair / base

**G** seat width

**H** backrest width

**K** height from the floor to the armrest

**L** backrest length

**M** dimensional chair depth

**N** seat depth adjustment / seat length

All dimensions are in [mm] and refer to basic version products. The indicated dimensions can change depending on the selected equipment package. Bejot reserves the right to change selected elements and this may slightly affect the product's dimensions. In case of any special requirements on dimensions of a given product, the afore-mentioned information should be acknowledged by the Producer. The specification does not constitute an offer within the meaning of the Civil Code. Dimensions and weights are approximate and may vary by 5%. The requirements of the standard are always met.

## materials available for collection

1st price group	Fenno, Lodge
2nd price group	Alaska, Alpa, Charles, Charles - Studio Design, Cura, Pastel, Roccia, Valencia
3rd price group	Ally, Ally-Studio Design, Alpa-Studio Design, Blazer, Cura - Studio Design, Cyber-Studio Design, Easy - Studio Design, Oceanic, Silvertex , Silvertex - Studio Design, Synergy, Synergy - Studio Design, Valencia - Studio Design
4th price group	Oceanic-Studio Design, Remix - Studio Design
5th price group	Steelcut Trio 3-Studio Design
Leather	Leather
Wood	Solid oak wood
Metal	Metal - powder coated, Metal ALU/chrom

bejot:vieni

