

volo

VO 222 O

: product card



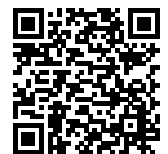
The word "Volo" in Italian means "I fly," and symbolizes the **lightness, mobility, and freedom** that define the collection. Inspired by minimalist design, Volo combines elegance, durability, and efficiency. Every detail is thoughtfully crafted to optimize materials and reduce waste – without compromising strength or structure.

With its lightweight construction, stackable design, and the ability to connect in rows, the Volo collection is ideal for conference rooms, auditoriums, public spaces, and any environment that requires quick rearrangement. The range also includes benches available in 2-, 3-, 4-, and 5-seater versions, with or without an integrated tabletop.

design:

Scagnellato & Ferrarese

**Product website
website link**



bejot:

collection advantages

Lightness. Freedom. Mobility.

The word Volo comes from Latin and means "I want." In a broader sense, it evokes the idea of flight – a symbol of lightness, movement, and freedom. These values are embodied in the chair itself: its slender frame and perfectly balanced proportions give it a visual lightness that blends harmoniously with any space. Thoughtful design ensures the form remains subtle while maintaining full functionality.

colors that create atmosphere

Volo benches are available in five carefully selected color combinations that bring energy to the space and highlight its unique character. The seats are made from high-quality materials, ensuring not only durability but also refined design. Additionally, the surfaces are easy to keep clean, making Volo an excellent choice for public areas, waiting rooms, and healthcare facilities.

freedom of choice

Volo benches offer extensive configuration possibilities, making them suitable for a wide range of environments – from waiting areas to relaxation zones – while maintaining exceptional design and comfort.

- **Structure** – Three types of bases are available, each emphasizing the character of the interior. The B5TL model, mounted to the floor, is an

excellent choice for heavily used spaces.

- **Armrests** – Available in versions with open, full, or no armrests. They give the chair an elegant form, make it easier to stand up, and a practical tabletop can be added between the seats.
- **Backrests** – Available in a durable plastic version, offering high resistance to intensive use and easy maintenance.

technical data

VO 222 ○

Standard ●
Option ○



Base design

- Black base construction made of high strength polyamide + black beam ●
- Powder-coated base construction (colors according to Bejot pattern) + black beam ○
- Polished aluminum base (chrome effect) + beam in black color ○
- Structure made of aluminum painted black - requires fixing to base + bar in black color ○

Additional equipment

- Black laminated board top instead of seat ○

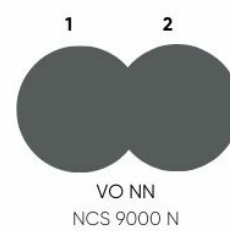
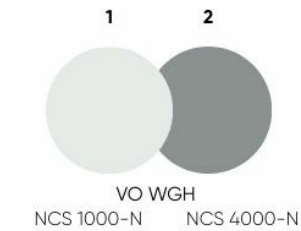
Description

- All plastic (colors according to Bejot pattern book) 1N

plastic colors match

1 - Armrests, cover seats, accessories

2 - Seat and backrest



metal

Standard

volo



4000N
NCS 4000-N



85Y2R
NCS 8005-Y20R



61G1Y
NCS S 6010-G10Y



85R5B
NCS S 8005-R50B



9000N
NCS 9000 N



chrom
chrome

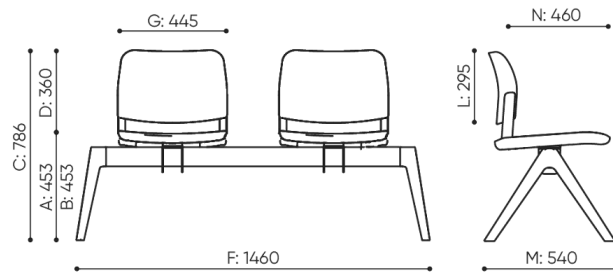


● standard
standard

○ opcja
option

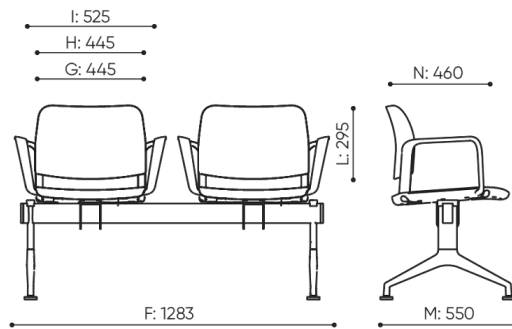
dimensions

VO 222 O

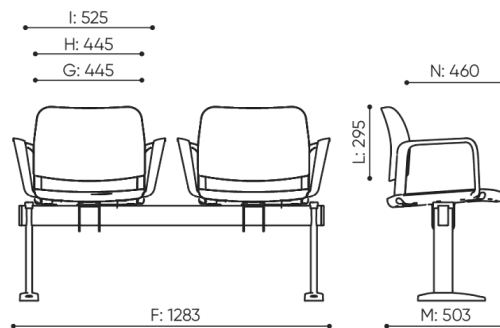


VO 222 1N + B5NL

bejot:volo



VO 222 C 1N + B5CHL



VO 222 C 1N + B5NL

Dimensions are approximate and may vary depending on product configuration configuration. Standards are always taken into account.

materials available for collection

Plastic

Plastik Volo

bejot:volo

