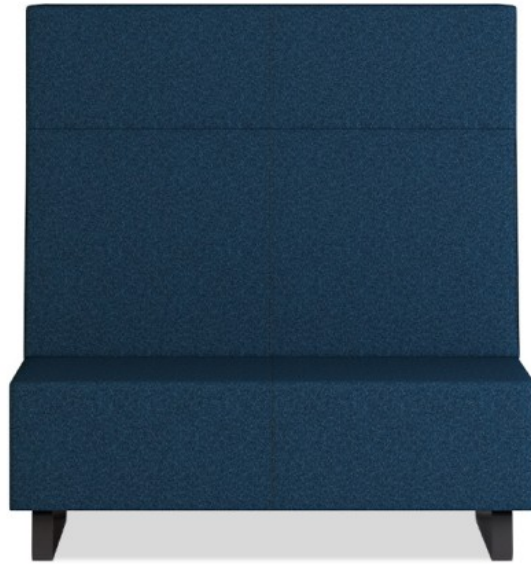


# voo\_voo:9xx

VV 902

: product card



The unique high backs of the Voo\_voo:9xx sofas create private spaces in large open areas such as universities, congress centres and open-space offices. The collection allows you to build flexible seating arrangements with high acoustic properties.

**design:**  
**Bejot Development Team**

**Product website**  
[website link](#)



**bejot:**

# collection advantages

## Sound absorption

An idea behind this design is to create a place of isolation in the open space, shopping centres, universities, schools as well as the other public use areas. A high upholstered backrest fulfils a role of the wall partitions, provides sound absorption and creates good acoustic conditions.

## Private room

The Voo Voo 9xx enables to create a "private room" in the office, where we can concentrate on the project or have informal talks.

## technical data

VV 902

Standard ●  
Option ○

### Base

Chromed skid with felt padding	●
Powder painted (colors according to the Bejot sampler book)	○

### Additional equipment

Mediaport (black): 1 voltage socket 230V (type E - Poland, France / type F - Germany / type G - United Kingdom) + 2 x USB charger	[type]2VCC ○
Mediaport (black): 2 230V sockets (type E - Poland, France / type F - Germany / type G - United Kingdom)	[type]2VV ○

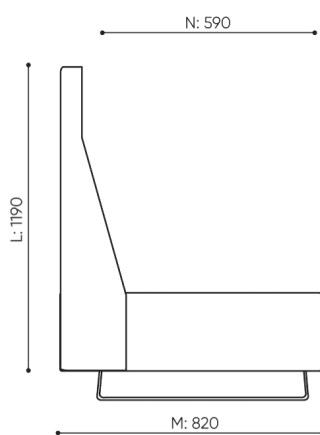
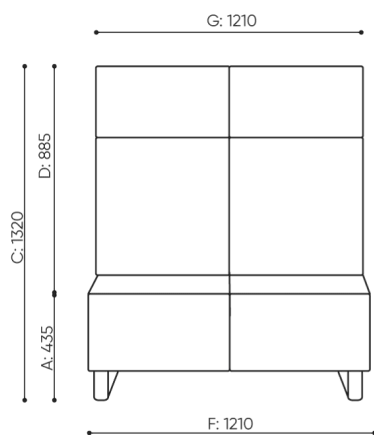
### Warning

Check if the product dimension does not conflict with the dimensions of the elevator and the entrance to the building where the product will be installed.

bejot:voo\_voo:9xx

# dimensions

## VV 902

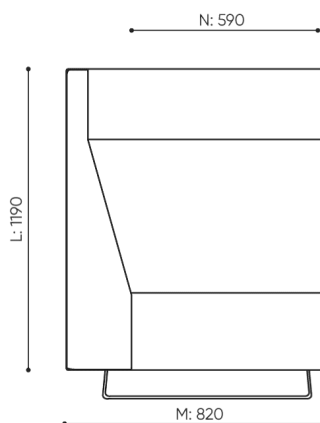
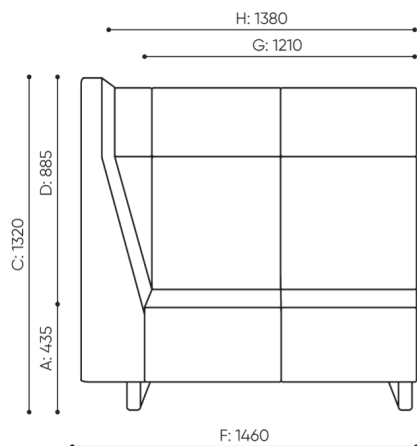


H: 1450 | 1 szt.  
W: 1410 | St.  
L: 860 | pc.



netto 86  
brutto 115

## VV 902



H: 1600 | 1 szt.  
W: 1410 | St.  
L: 860 | pc.



netto 65  
brutto 95

## VV 912

bejot:voo\_voo:9xx

<b>C</b>	<b>overall height</b>	<b>G</b>	<b>seat width</b>	<b>M</b>	<b>overall depth</b>
<b>D</b>	<b>backrest height</b>	<b>H</b>	<b>backrest width</b>	<b>N</b>	<b>seat depth</b>

All dimensions are in [mm] and refer to basic version products. The indicated dimensions can change depending on the selected equipment package. Bejot reserves the right to change selected elements and this may slightly affect the product's dimensions. In case of any special requirements on dimensions of a given product, the afore-mentioned information should be acknowledged by the Producer. The specification does not constitute an offer within the meaning of the Civil Code. Dimensions and weights are approximate and may vary by 5%. The requirements of the standard are always met.

## materials available for collection

1st price group	Fenno, Keimo, Lodge, Sawana
2nd price group	Alaska, Alpa, Charles, Charles - Studio Design, Cura, Pastel, Roccia, Valencia
3rd price group	Ally, Ally-Studio Design, Alpa-Studio Design, Blazer, Cura - Studio Design, Easy - Studio Design, Oceanic, Silvertex , Silvertex - Studio Design, Synergy, Synergy - Studio Design
4th price group	Oceanic-Studio Design, Remix - Studio Design
5th price group	Steelcut Trio 3-Studio Design
Leather	Leather
Metal	Metal - powder coated

bejot:voo\_voo:9xx

