



wei WE 270

Manufactured from nature

Wei is a simple line with a modern form and natural finish. A perfect example of the current Scandinavian design.

The main theme of the design is nature. The wood structure of the chair is clearly visible, with the chair itself being light and very practical. High-quality materials make Wei chairs timeless and durable.

The chair design ensures that up to 5 chairs can be stacked.

A wide range of natural veneer colours, armrests, and upholstered covers with multiple arrangement options.



This collection was designed by Swedish designer **Henrik Schultz**, whose work is inspired by Scandinavian craftsmanship and material knowledge.

WE 270 / Technical data

Standard

Option

Base

Powder painted metal construction

Shell colors

Natural oak veneer - clear varnish matt	ONB	<input checked="" type="radio"/>
Natural oak veneer - black matt varnish (RAL 9005M)	O9005	<input type="radio"/>
Natural oak veneer - gray matt varnish (RAL 7045M)	O7045	<input type="radio"/>
Natural oak veneer - maroon matt varnish (RAL 3005M)	O3005	<input type="radio"/>
Natural oak veneer - green matt varnish (RAL 6005M)	O6005	<input type="radio"/>
Natural oak veneer - blue matt varnish (RAL 5007M)	O5007	<input type="radio"/>
Natural oak veneer - white matt varnish	O9003	<input type="radio"/>

Glides

Glides for ceramic floors, concrete and carpets	PK	<input checked="" type="radio"/>
Felt glides for wooden floors and floor panels	PF	<input type="radio"/>

Armrests

Powder painted metal + wooden armpad in the color of the shell		<input checked="" type="radio"/>
----------------------------------------------------------------	--	----------------------------------

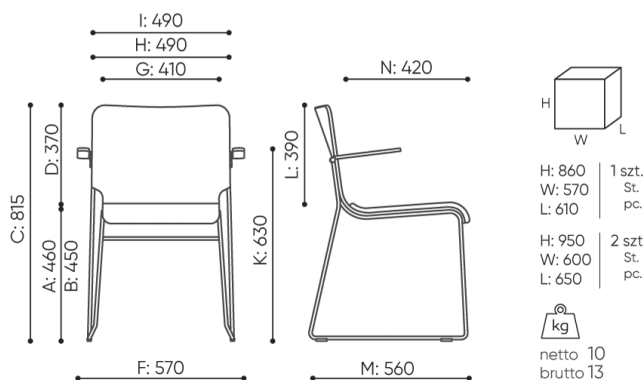
Description

Description	Code
Natural oak veneer	1N
Natural oak veneer + upholstered seat cover	2N

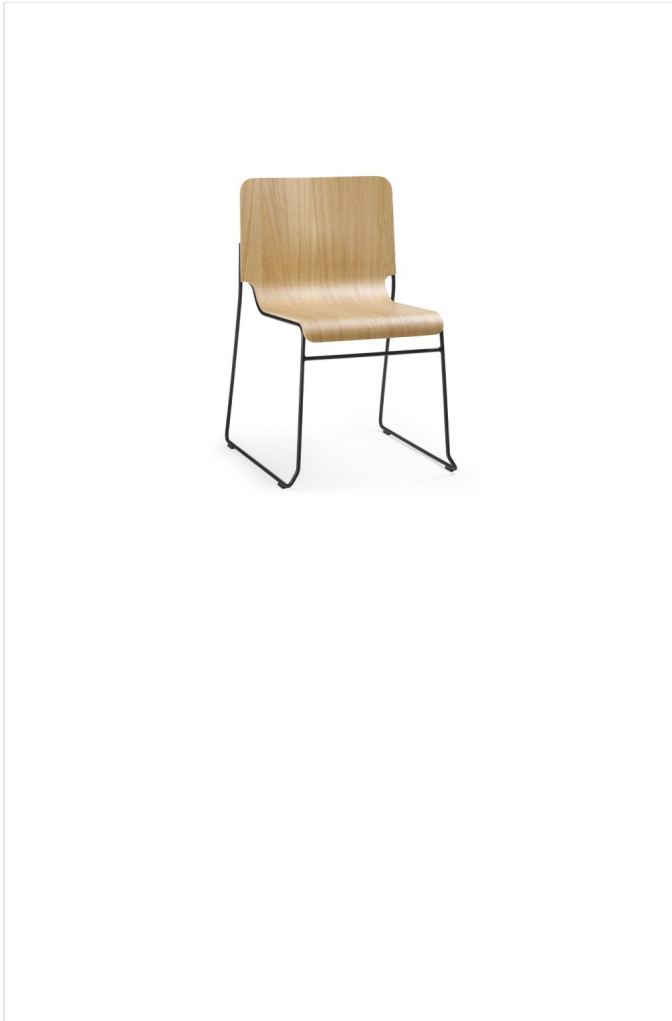
WE 270 / Dimensions

Dimensions are approximate and may vary depending on the selected product configuration. The requirements of the standard are always met.

seat height: overall dimensions	A
seat height: measured according to the norm PN EN 1335 - 1	B
chair height	C
backrest height	D
headrest height	E
dimensional width chair / ø base	F
seat width	G
backrest width	H
width between armrests	I
height from the floor to the armrest	K
backrest lenght	L
dimensional chair depth	M
seat depth / seat lenght	N



WE 270 2N



wei **WE 271**

Manufactured from nature

Wei is a simple line with a modern form and natural finish. A perfect example of the current Scandinavian design.

The main theme of the design is nature. The wood structure of the chair is clearly visible, with the chair itself being light and very practical. High-quality materials make Wei chairs timeless and durable.

The chair design ensures that up to 5 chairs can be stacked.

A wide range of natural veneer colours, armrests, and upholstered covers with multiple arrangement options.



This collection was designed by Swedish designer **Henrik Schultz**, whose work is inspired by Scandinavian craftsmanship and material knowledge.

WE 271 / Technical data

● Standard ○ Option

Base

Powder painted metal construction ●

Shell colors

- Natural oak veneer - clear varnish matt **ONB** ●
- Natural oak veneer - black matt varnish (RAL 9005M) **O9005** ○
- Natural oak veneer - gray matt varnish (RAL 7045M) **O7045** ○
- Natural oak veneer - maroon matt varnish (RAL 3005M) **O3005** ○
- Natural oak veneer - green matt varnish (RAL 6005M) **O6005** ○
- Natural oak veneer - blue matt varnish (RAL 5007M) **O5007** ○
- Natural oak veneer - white matt varnish **O9003** ○

Glides

- Glides for ceramic floors, concrete and carpets **PK** ●
- Felt glides for wooden floors and floor panels **PF** ○

Description

Code

Natural oak veneer

1N

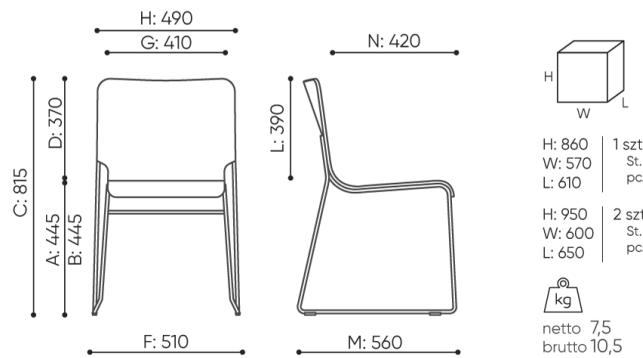
Natural oak veneer + upholstered seat cover

2N

WE 271 / Dimensions

Dimensions are approximate and may vary depending on the selected product configuration. The requirements of the standard are always met.

seat height: overall dimensions	A
seat height: measured according to the norm PN EN 1335 - 1	B
chair height	C
backrest height	D
headrest height	E
dimensional width chair / ø base	F
seat width	G
backrest width	H
width between armrests	I
height from the floor to the armrest	K
backrest length	L
dimensional chair depth	M
seat depth / seat length	N



WE 271 1N



wei WE 715

Manufactured from nature

Wei is a simple line with a modern form and natural finish. A perfect example of the current Scandinavian design.

The main theme of the design is nature. The wood structure of the chair is clearly visible, with the chair itself being light and very practical. High-quality materials make Wei chairs timeless and durable.

The chair design ensures that up to 5 chairs can be stacked.

A wide range of natural veneer colours, armrests, and upholstered covers with multiple arrangement options.



This collection was designed by Swedish designer **Henrik Schultz**, whose work is inspired by Scandinavian craftsmanship and material knowledge.

WE 715 / Technical data

● Standard

○ Option

Base

Base and shell are made of plywood with natural oak veneer

●

Color

Natural oak veneer - clear varnish matt

ONB

●

Natural oak veneer - black matt varnish (RAL 9005M)

O9005

○

Natural oak veneer - gray matt varnish (RAL 7045M)

O7045

○

Natural oak veneer - maroon matt varnish (RAL 3005M)

O3005

○

Natural oak veneer - green matt varnish (RAL 6005M)

O6005

○

Natural oak veneer - blue matt varnish (RAL 5007M)

O5007

○

Natural oak veneer - white matt varnish

O9003

○

Feet

Without feet (recommended for carpeted floors)

DF

●

Feet for ceramic and concrete floors

WK

○

Felt feet on wooden floors and panels

WF

○

Description

Code

Natural oak veneer

1N

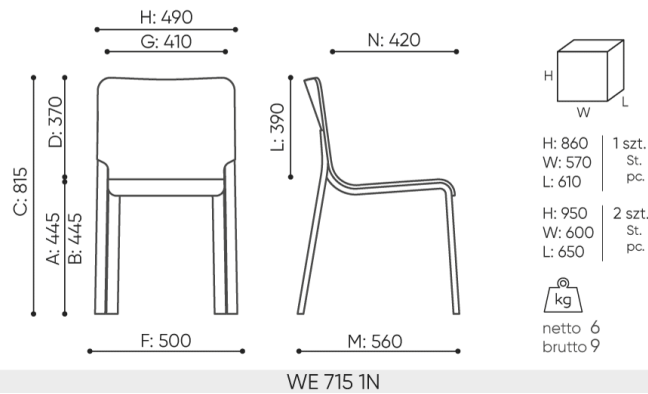
Natural oak veneer + upholstered seat cover

2N

WE 715 / Dimensions

Dimensions are approximate and may vary depending on the selected product configuration. The requirements of the standard are always met.

seat height: overall dimensions	A
seat height: measured according to the norm PN EN 1335 - 1	B
chair height	C
backrest height	D
headrest height	E
dimensional width chair / ø base	F
seat width	G
backrest width	H
width between armrests	I
height from the floor to the armrest	K
backrest length	L
dimensional chair depth	M
seat depth / seat length	N



wei WE 720

Manufactured from nature

Wei is a simple line with a modern form and natural finish. A perfect example of the current Scandinavian design.

The main theme of the design is nature. The wood structure of the chair is clearly visible, with the chair itself being light and very practical. High-quality materials make Wei chairs timeless and durable.

The chair design ensures that up to 5 chairs can be stacked.

A wide range of natural veneer colours, armrests, and upholstered covers with multiple arrangement options.



This collection was designed by Swedish designer **Henrik Schultz**, whose work is inspired by Scandinavian craftsmanship and material knowledge.

WE 720 / Technical data

● Standard

○ Option

Base

Base and shell are made of plywood with natural oak veneer

●

Color

Natural oak veneer - clear varnish matt

ONB

●

Natural oak veneer - black matt varnish (RAL 9005M)

O9005

○

Natural oak veneer - gray matt varnish (RAL 7045M)

O7045

○

Natural oak veneer - maroon matt varnish (RAL 3005M)

O3005

○

Natural oak veneer - green matt varnish (RAL 6005M)

O6005

○

Natural oak veneer - blue matt varnish (RAL 5007M)

O5007

○

Natural oak veneer - white matt varnish

O9003

○

Feet

Without feet (recommended for carpeted floors)

DF

●

Feet for ceramic and concrete floors

WK

○

Felt feet on wooden floors and panels

WF

○

Armrests

Powder painted metal + wooden armpad in the color of the shell

●

Description

Code

Natural oak veneer

1N

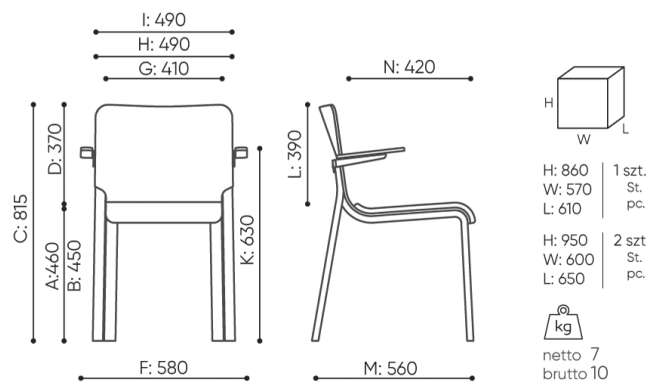
Natural oak veneer + upholstered seat cover

2N

WE 720 / Dimensions

Dimensions are approximate and may vary depending on the selected product configuration. The requirements of the standard are always met.

seat height: overall dimensions	A
seat height: measured according to the norm PN EN 1335 - 1	B
chair height	C
backrest height	D
headrest height	E
dimensional width chair / ø base	F
seat width	G
backrest width	H
width between armrests	I
height from the floor to the armrest	K
backrest length	L
dimensional chair depth	M
seat depth / seat length	N



WE 720 2N