

# wei

## WE 270

: product card



The one-of-a-kind design and high-quality materials make the chair timeless and versatile, ideal for any interior, such as a restaurant, conference room or dining room. The main theme of the project is nature. Simplicity and solid workmanship combined in a very practical, comfortable and lightweight but durable monolith.

**design:**  
**Henrik Schultz**

**Product website**  
[website link](#)



# bejot:

# collection advantages

## created from nature

Wei is a simple line with a modern form and natural finish. A perfect example of the current Scandinavian design.

The main theme of the design is nature. The wood structure of the chair is clearly visible, with the chair itself being light and very practical. High-quality materials make Wei chairs timeless and durable.

## wide range of possibilities

A wide range of natural veneer staining colours, armrests and an upholstered seat pad offering many design possibilities.

Models on a steel skid are also available.

All designs allow for stacking of up to 6 chairs.

## technical data

WE 270

Standard ●  
Option ○

### Base

---

Powder painted metal construction

●

### Glides

---

Glides for ceramic floors, concrete and carpets

PK

●

Felt glides for wooden floors and floor panels

PF

○

### Armrests

---

Powder painted metal + wooden armpad in the color of the shell

●

### Color

---

Natural oak veneer - clear varnish matt

ONB

●

Natural veneer - varnish according to the Bejot sampler)

○

### Additional information

---

The product does not touch the walls



the product does not touch the walls

### Stacking

---

WE 715 1N	6 pc.
WE 715 2N	4 pc.
WE 720 1N	6 pc.
WE 720 2N	4 pc.



stacking

bejot:wei

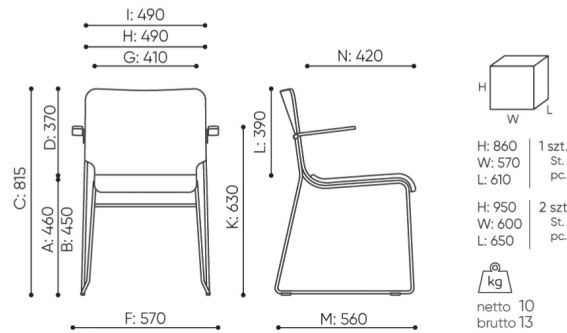
### Description

---

Description	Code
Natural oak veneer	1N
Natural oak veneer + upholstered seat cover	2N

# dimensions

## WE 270



WE 270 2N

- |  |   |   |
|--|---|---|
| <b>B</b> seat height: measured according to the norm<br>PN EN 1335-1 with a load of 640N | <b>F</b> dimensional width chair / base | <b>K</b> height from the floor to the armrest |
| <b>C</b> chair height adjustment   | <b>G</b> seat width                     | <b>L</b> backrest length                      |
| <b>D</b> backrest height adjustment  | <b>H</b> backrest width                 | <b>M</b> dimensional chair depth              |
|  |   | <b>N</b> seat depth adjustment / seat length  |

All dimensions are in [mm] and refer to basic version products. The indicated dimensions can change depending on the selected equipment package. Bejot reserves the right to change selected elements and this may slightly affect the product's dimensions. In case of any special requirements on dimensions of a given product, the afore-mentioned information should be acknowledged by the Producer. The specification does not constitute an offer within the meaning of the Civil Code. Dimensions and weights are approximate and may vary by 5%. The requirements of the standard are always met.

## materials available for collection

1st price group	Bond, Fenno, Keimo, Lodge, Sawana
2nd price group	Alaska, Alpa, Charles, Charles - Studio Design, Cura, Pastel, Roccia, Valencia
3rd price group	Ally, Ally-Studio Design, Alpa-Studio Design, Blazer, Cura - Studio Design, Easy - Studio Design, Oceanic, Silvertex , Silvertex - Studio Design, Synergy, Synergy - Studio Design, Valencia - Studio Design
4th price group	Oceanic-Studio Design, Remix - Studio Design
5th price group	Steelcut Trio 3-Studio Design
Leather	Leather
Natural oak veneer	Natural oak veneer
Metal	Metal - powder coated

bejot:wei

