

be:basic offer

ZP 22H be:basic

: product card



Products withdrawn from the offer with extended lead time.
Available only while stock lasts.

design:

Product website
[website link](#)



bejot:

collection advantages

Light & functional

A light and dynamic form, functionality and convenience of the everyday use are the advantages of the Zip collection, which appeal to everyone.

Utility values

A possibility of stacking, joining chairs in rows and fixing desktops are the utility values that will satisfy the requirements of each customer.

technical data

ZP 22H be:basic

Standard ●
Option ○

Base

Powder coated (colors according to the Bejot sampler) ●

Armpads

CODE

Without armpads ●
Soft, black polyurethane PU ○

Additional equipment

CODE

Mobile writing desk CPL P ○
Chairs connectors L ○

Feet

CODE

Feet for ceramic floors, concrete and carpets TK ●
Felt feet for wooden floors and panels TF ○

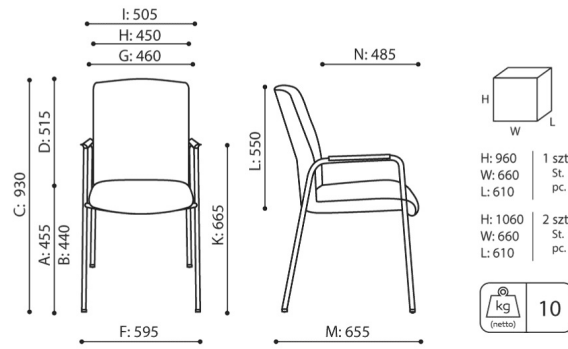
4-pieces stacking

Product available while stocks last

bejot:be:basic offer

dimensions

ZP 22H be:basic



ZP 22H

- | | | |
|------------------------------------------------------------------------------------------|-----------------------------------------|-----------------------------------------------|
| B seat height: measured according to the norm
PN EN 1335-1 with a load of 640N | F dimensional width chair / base | K height from the floor to the armrest |
| C chair height adjustment | G seat width | L backrest lenght |
| D backrest height adjustment | H backrest width | M dimensional chair depth |
| | | N seat depth adjustment / seat lenght |

All dimensions are in [mm] and refer to basic version products. The indicated dimensions can change depending on the selected equipment package. Bejot reserves the right to change selected elements and this may slightly affect the product's dimensions. In case of any special requirements on dimensions of a given product, the afore-mentioned information should be acknowledged by the Producer. The specification does not constitute an offer within the meaning of the Civil Code. Dimensions and weights are approximate and may vary by 5%. The requirements of the standard are always met.

bejot:be:basic offer

materials available for collection

1st price group	Bond, Fenno, Keimo, Sawana
2nd price group	Alaska, Alpa, Charles, Charles - Studio Design, Cura, Era - Studio Design, Pastel, Roccia
3rd price group	Ally, Ally-Studio Design, Alpa-Studio Design, Blazer, Cura - Studio Design, Easy - Studio Design, Oceanic, Rhythm, Silvertex , Silvertex - Studio Design, Synergy, Synergy - Studio Design
4th price group	Oceanic-Studio Design, Remix - Studio Design
5th price group	Steelcut Trio 3-Studio Design
Leather	Leather
Metal	Metal - powder coated

bejot:be:basic offer

