

be:basic offer

ZP 261H be:basic

: product card



Products withdrawn from the offer with extended lead time.
Available only while stock lasts.

design:

Product website
[website link](#)



bejot:

collection advantages

Light & functional

A light and dynamic form, functionality and convenience of the everyday use are the advantages of the Zip collection, which appeal to everyone.

Utility values

A possibility of stacking, joining chairs in rows and fixing desktops are the utility values that will satisfy the requirements of each customer.

technical data

ZP 261H be:basic

Standard ●
Option ○

Base

Powder painted (colors according to the Bejot sampler book)

●

Castors

Hard castors for soft floors Ø 65 with auto-brake

DEMA

●

Soft castors for hard floors Ø 65 with auto-brake

DEMAD

○

Universal castors without brake function, color white

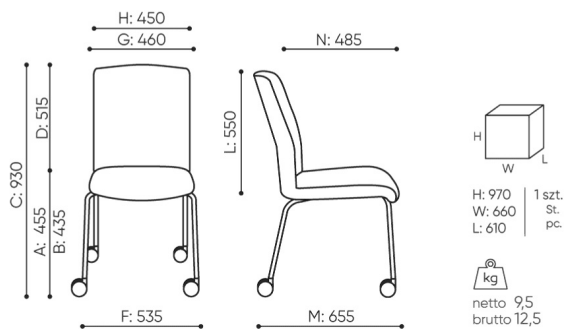
RL W4

○

Product available while stocks last

dimensions

ZP 261H be:basic



ZP 261H

- | | | |
|--|---|---|
| B seat height: measured according to the norm
PN EN 1335-1 with a load of 640N | F dimensional width chair / base | K height from the floor to the armrest |
| C chair height adjustment | G seat width | L backrest length |
| D backrest height adjustment | H backrest width | M dimensional chair depth |
| | | N seat depth adjustment / seat length |

All dimensions are in [mm] and refer to basic version products. The indicated dimensions can change depending on the selected equipment package. Bejot reserves the right to change selected elements and this may slightly affect the product's dimensions. In case of any special requirements on dimensions of a given product, the afore-mentioned information should be acknowledged by the Producer. The specification does not constitute an offer within the meaning of the Civil Code. Dimensions and weights are approximate and may vary by 5%. The requirements of the standard are always met.

bejot:be:basic offer

materials available for collection

1st price group	Bond, Fenno, Keimo, Sawana
2nd price group	Alaska, Alpa, Charles, Charles - Studio Design, Cura, Era - Studio Design, Pastel, Roccia
3rd price group	Ally, Ally-Studio Design, Alpa-Studio Design, Blazer, Cura - Studio Design, Easy - Studio Design, Oceanic, Rhythm, Silvertex , Silvertex - Studio Design, Synergy, Synergy - Studio Design
4th price group	Oceanic-Studio Design, Remix - Studio Design
5th price group	Steelcut Trio 3-Studio Design
Leather	Leather
Metal	Metal - powder coated

bejot:be:basic offer

