



zip ZP 260H

Light & functional

A light and dynamic form, functionality and convenience of the everyday use are the advantages of the Zip collection, which appeal to everyone.

Utility values

A possibility of stacking, joining chairs in rows and fixing desktops are the utility values that will satisfy the requirements of each customer.

ZP 260H / Technical data

● Standard ○ Option

Base

Powder painted (colors according to the Bejot sampler book) ●

Castors

Hard castors for soft floors Ø 65 with auto-brake **DEMA** ●

Soft castors for hard floors Ø 65 with auto-brake **DEMAD** ○

Universal castors without brake function, color white **RL W4** ○

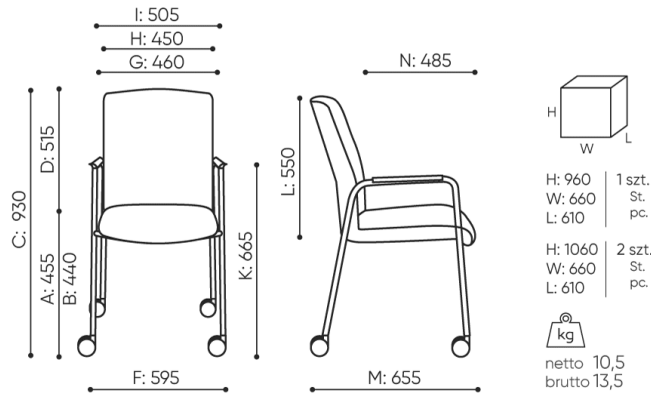
Armrest covers

Soft, black polyurethane **PU** ●

ZP 260H / Dimensions

Dimensions are approximate and may vary depending on the selected product configuration. The requirements of the standard are always met.

seat height: overall dimensions	A
seat height: measured according to the norm PN EN 1335 - 1	B
chair height	C
backrest height	D
headrest height	E
dimensional width chair / ø base	F
seat width	G
backrest width	H
width between armrests	I
height from the floor to the armrest	K
backrest length	L
dimensional chair depth	M
seat depth / seat length	N



ZP 260H



zip ZP 261H

Light & functional

A light and dynamic form, functionality and convenience of the everyday use are the advantages of the Zip collection, which appeal to everyone.

Utility values

A possibility of stacking, joining chairs in rows and fixing desktops are the utility values that will satisfy the requirements of each customer.

ZP 261H / Technical data

● Standard

○ Option

Base

Powder painted (colors according to the Bejot sampler book) ●

Castors

Hard castors for soft floors Ø 65 with auto-brake ●

DEMA

Soft castors for hard floors Ø 65 with auto-brake ○

DEMAD

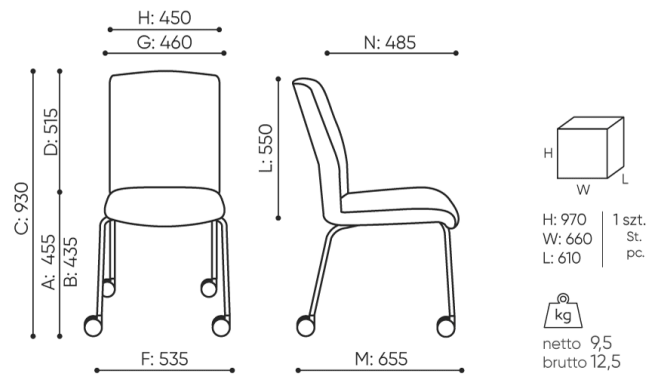
Universal castors without brake function, color white ○

RL W4

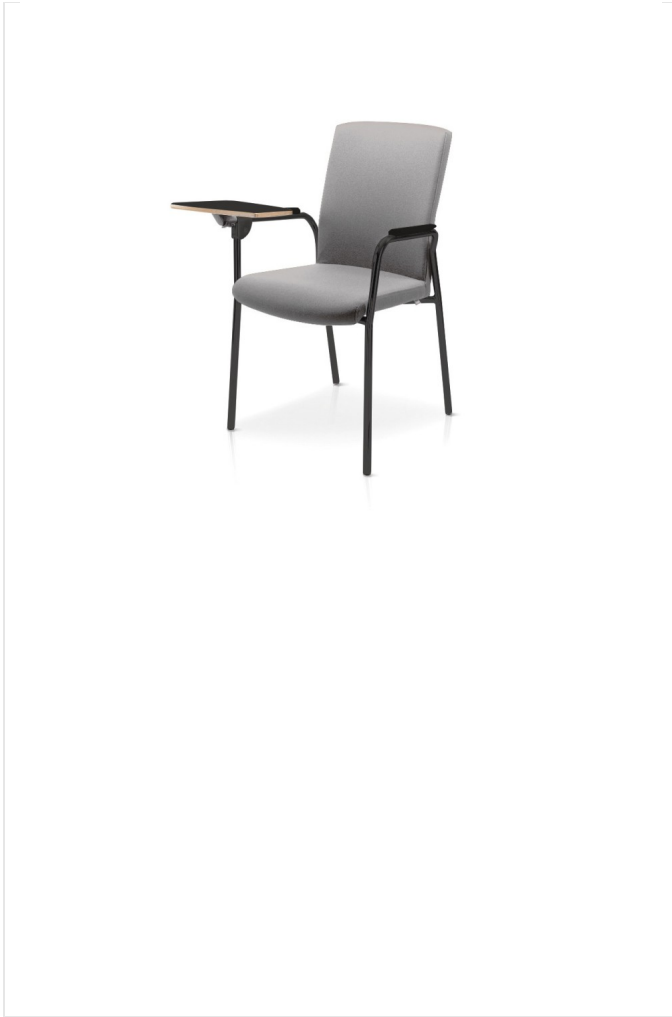
ZP 261H / Dimensions

Dimensions are approximate and may vary depending on the selected product configuration. The requirements of the standard are always met.

seat height: overall dimensions	A
seat height: measured according to the norm PN EN 1335 - 1	B
chair height	C
backrest height	D
headrest height	E
dimensional width chair / ø base	F
seat width	G
backrest width	H
width between armrests	I
height from the floor to the armrest	K
backrest length	L
dimensional chair depth	M
seat depth / seat length	N



ZP 261H



zip ZP 22H

Light & functional

A light and dynamic form, functionality and convenience of the everyday use are the advantages of the Zip collection, which appeal to everyone.

Utility values

A possibility of stacking, joining chairs in rows and fixing desktops are the utility values that will satisfy the requirements of each customer.

ZP 22H / Technical data

● Standard ○ Option

Base

Powder coated (colors according to the Bejot sampler) ●

Armpads

CODE

Without armpads ●

Soft, black polyurethane PU ○

Additional equipment

CODE

Mobile writing desk CPL P ○

Chairs connectors L ○

Feet

CODE

Feet for ceramic floors, concrete and carpets TK ●

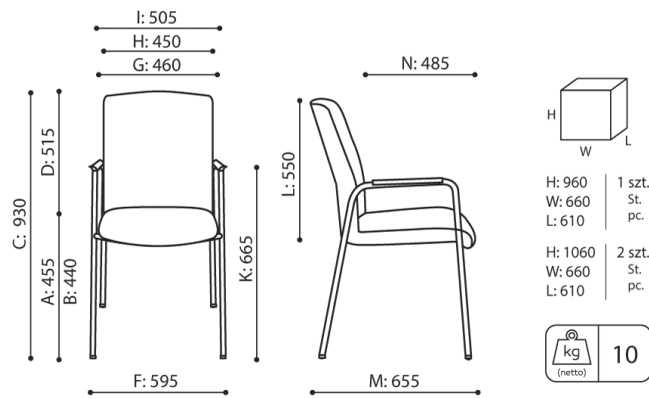
Felt feet for wooden floors and panels TF ○

4-pieces stacking

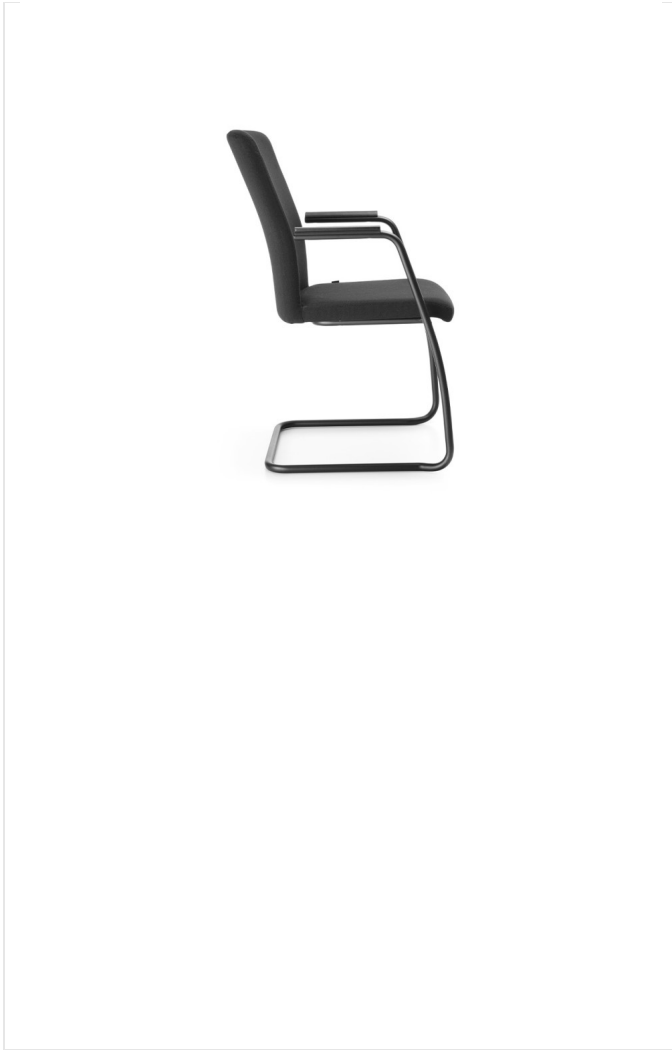
ZP 22H / Dimensions

Dimensions are approximate and may vary depending on the selected product configuration. The requirements of the standard are always met.

seat height: overall dimensions	A
seat height: measured according to the norm PN EN 1335 - 1	B
chair height	C
backrest height	D
headrest height	E
dimensional width chair / ø base	F
seat width	G
backrest width	H
width between armrests	I
height from the floor to the armrest	K
backrest length	L
dimensional chair depth	M
seat depth / seat length	N



ZP 22H



zip ZP 23H

Light & functional

A light and dynamic form, functionality and convenience of the everyday use are the advantages of the Zip collection, which appeal to everyone.

Utility values

A possibility of stacking, joining chairs in rows and fixing desktops are the utility values that will satisfy the requirements of each customer.

ZP 23H / Technical data

● Standard ○ Option

Base

Powder coated (colors according to the Bejot sampler) ●

Armpads

Soft, black polyurethane CODE

PU ●

Additional equipment

Chairs connectors CODE

L ○

Glides

Without glides CODE

●

Glides for ceramic floors, concrete and carpets SK ○

SK ○

Felt glides for wooden floors and floor panels SF ○

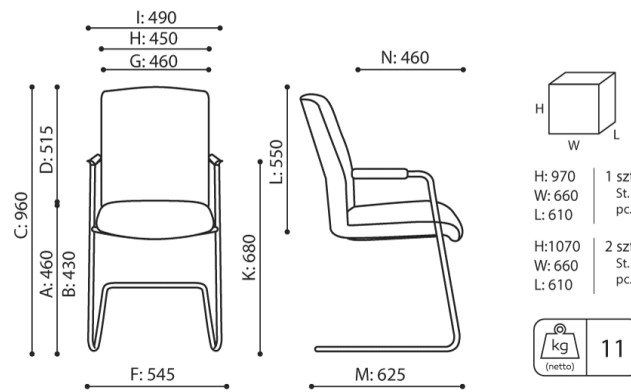
SF ○

3-pieces stacking

ZP 23H / Dimensions

Dimensions are approximate and may vary depending on the selected product configuration. The requirements of the standard are always met.

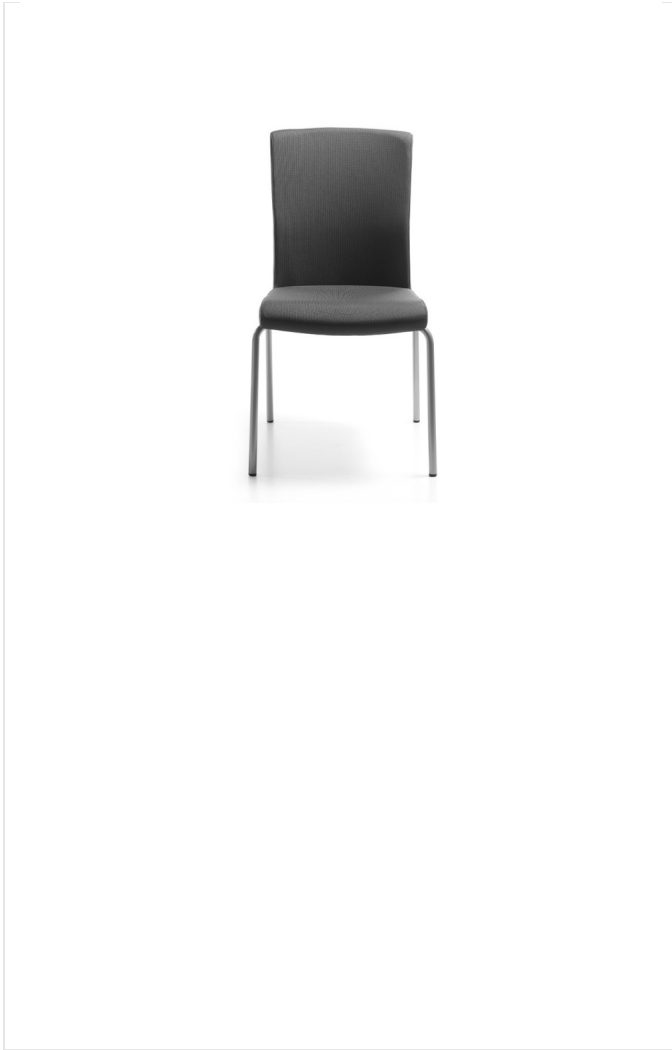
seat height: overall dimensions	A
seat height: measured according to the norm PN EN 1335 - 1	B
chair height	C
backrest height	D
headrest height	E
dimensional width chair / ø base	F
seat width	G
backrest width	H
width between armrests	I
height from the floor to the armrest	K
backrest length	L
dimensional chair depth	M
seat depth / seat length	N



H: 970	1 szt.
W: 660	St.
L: 610	pc.
H: 1070	2 szt.
W: 660	St.
L: 610	pc.



ZP 23H



zip ZP 21H

Light & functional

A light and dynamic form, functionality and convenience of the everyday use are the advantages of the Zip collection, which appeal to everyone.

Utility values

A possibility of stacking, joining chairs in rows and fixing desktops are the utility values that will satisfy the requirements of each customer.

ZP 21H / Technical data

● Standard ○ Option

Base

Powder coated (colors according to the Bejot sampler) ●

Additional equipment

CODE

Mobile writing desk made of varnished wood / polished aluminum connector P ○

Chairs connectors L ○

Feet

CODE

Feet for ceramic floors, concrete and carpets TK ●

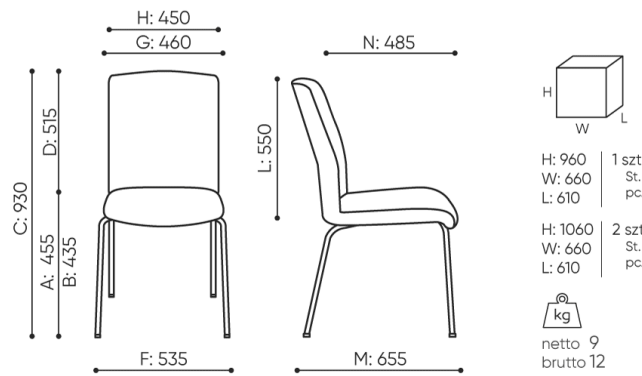
Felt feet for wooden floors and panels TF ○

4-pieces stacking.

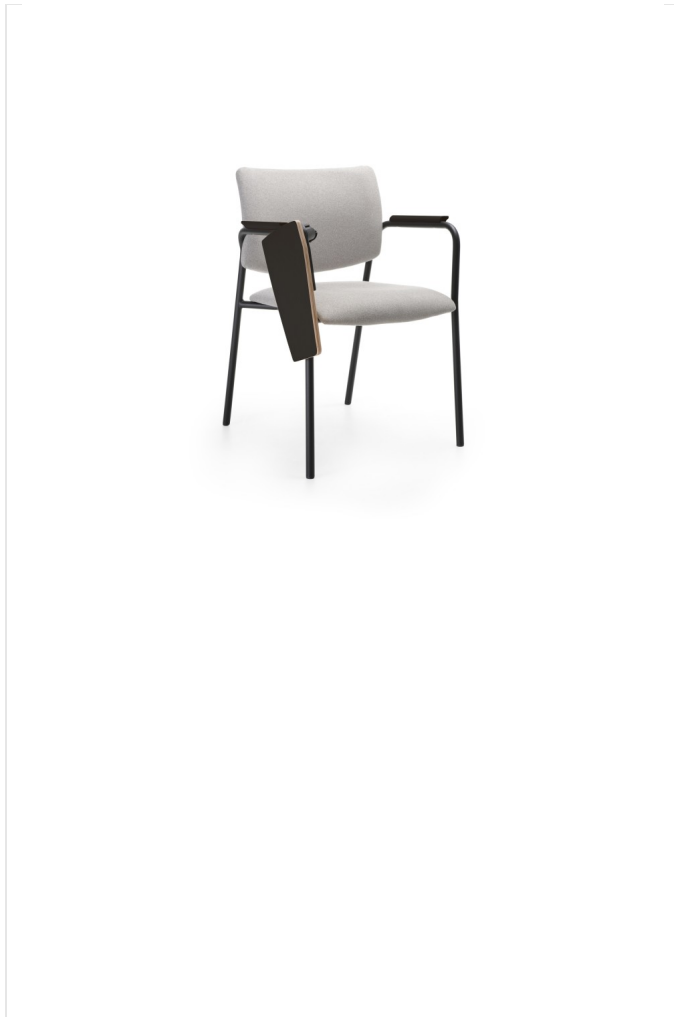
ZP 21H / Dimensions

Dimensions are approximate and may vary depending on the selected product configuration. The requirements of the standard are always met.

seat height: overall dimensions	A
seat height: measured according to the norm PN EN 1335 - 1	B
chair height	C
backrest height	D
headrest height	E
dimensional width chair / ø base	F
seat width	G
backrest width	H
width between armrests	I
height from the floor to the armrest	K
backrest length	L
dimensional chair depth	M
seat depth / seat length	N



ZP 21H



zip ZP 220

Light & functional

A light and dynamic form, functionality and convenience of the everyday use are the advantages of the Zip collection, which appeal to everyone.

Utility values

A possibility of stacking, joining chairs in rows and fixing desktops are the utility values that will satisfy the requirements of each customer.

ZP 220 / Technical data

● Standard ○ Option

Base

Powder coated (colors according to the Bejot sampler) ●

Armpads

CODE

Without armpads ●

Soft, black polyurethane PU ○

Additional equipment

CODE

Black underside of the seat protecting chairs against scratching during stacking (for chairs without a connector) PC ○

Mobile writing desk CPL P ○

Chairs connectors L ○

The system of joining rows and rows with each other

CODE

The bar combining 4 chairs (length: 3000 mm) LR1 ○

Set: The bar combining 4 chairs (length: 3000 mm)+ 2 x row connector (length: 1000 mm) LR4-SET ○

Feet

CODE

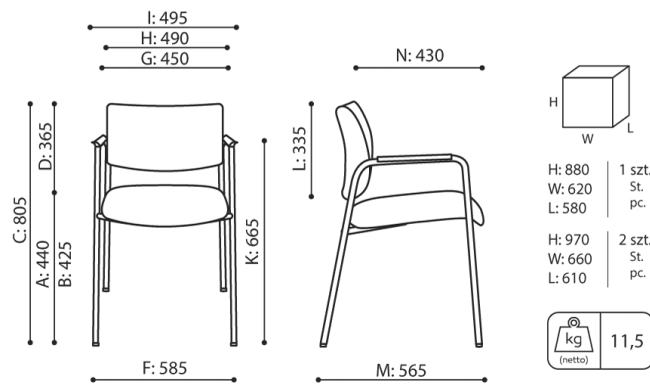
Feet for ceramic floors, concrete and carpets TK ●

4-pieces stacking. The product does not scratch the walls.

ZP 220 / Dimensions

Dimensions are approximate and may vary depending on the selected product configuration. The requirements of the standard are always met.

seat height: overall dimensions	A
seat height: measured according to the norm PN EN 1335 - 1	B
chair height	C
backrest height	D
headrest height	E
dimensional width chair / ø base	F
seat width	G
backrest width	H
width between armrests	I
height from the floor to the armrest	K
backrest length	L
dimensional chair depth	M
seat depth / seat length	N



ZP 220



zip ZP 215

Light & functional

A light and dynamic form, functionality and convenience of the everyday use are the advantages of the Zip collection, which appeal to everyone.

Utility values

A possibility of stacking, joining chairs in rows and fixing desktops are the utility values that will satisfy the requirements of each customer.

ZP 215 / Technical data

● Standard ○ Option

Base

Powder coated (colors according to the Bejot sampler) ●

Additional equipment

CODE

Black underside of the seat protecting chairs against scratching during stacking (for chairs without a connector) **PC**

Mobile writing desk made of varnished wood / polished aluminum connector **P** ○

Chairs connectors **L** ○

The system of joining rows and rows with each other

CODE

The bar combining 4 chairs (length: 3000 mm) **LR1** ○

Set: The bar combining 4 chairs (length: 3000 mm)+ 2 x row connector (length: 1000 mm) **LR4-SET** ○

Feet

CODE

Feet for ceramic floors, concrete and carpets **TK** ●

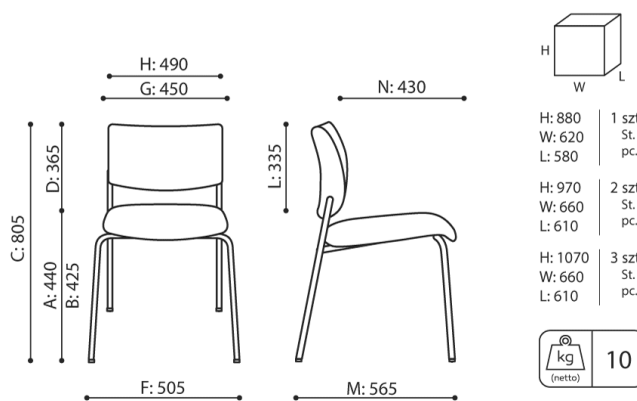
Felt feet for wooden floors and panels **TF** ○

4-pieces stacking. The product does not scratch the walls.

ZP 215 / Dimensions

Dimensions are approximate and may vary depending on the selected product configuration. The requirements of the standard are always met.

seat height: overall dimensions	A
seat height: measured according to the norm PN EN 1335 - 1	B
chair height	C
backrest height	D
headrest height	E
dimensional width chair / ø base	F
seat width	G
backrest width	H
width between armrests	I
height from the floor to the armrest	K
backrest length	L
dimensional chair depth	M
seat depth / seat length	N



ZP 215