

epocc_lounge

EP 520

: fiche produit



Un loge de la simplicité et une inspiration du design des années passées - voici la définition de la collection Epocc_lounge.

Le siège large et profond et le dossier bien profilé garantissent un confort maximal en position assise, tandis que l'appui-tête acoustique réduit les bruits extérieurs.

design:

Jan Kochański

Site du produit

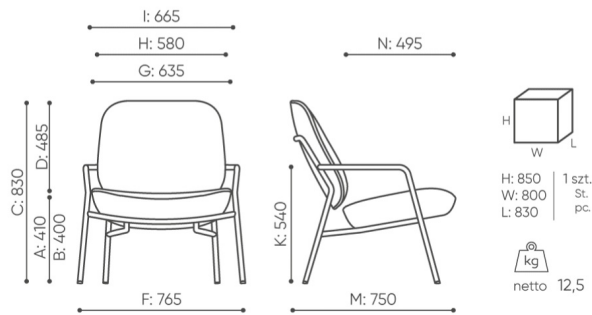
[lien vers le site](#)



bejot:

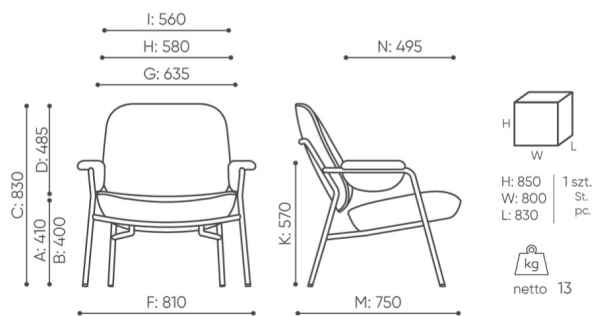
dimensions

EP 520

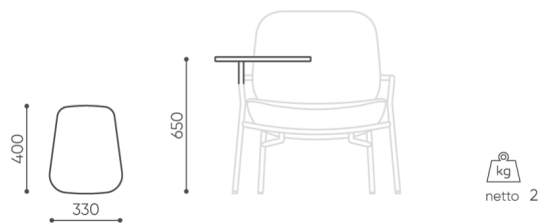


EP 520

bejot:epocc_lounge



EP 520 + P



EP TB-L

- A seat height: overall dimensions
- B seat height: measured according to the norm
PN EN 1335 - 1
- C chair height
- D backrest height
- E headrest height
- F dimensional width chair / base
- G seat width
- H backrest width
- I width between armrests
- K height from the floor to the armrest
- L backrest length
- M dimensional chair depth
- N seat depth / seat length

Dimensions are approximate and may vary depending on the selected product configuration. The requirements of the standard are always met.

mat riaux disponibles pour la collection

1st price group	Fenno, Keimo
2nd price group	Alaska, Alpa, Charles, Charles - Studio Design, Cura, Era - Studio Design, Pastel, Roccia
3rd price group	Ally, Ally SD, Alpa-Studio Design, Blazer, Cura SD, Cyber SD, Easy SD, Oceanic, Silvertex , Silvertex - Studio Design, Synergy, Synergy - Studio Design
4th price group	Heritage, Oceanic-Studio Design, Remix - Studio Design
5th price group	Accessoire, Steelcut Trio 3
Cuir	Leather
Tabletop	Finger joint wood, Laminated tabletop
Metal	Metal - powder coated

